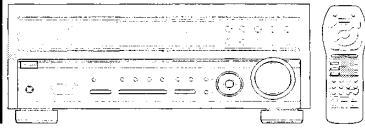


Service Manual



ORDER NO.
RRV 1770

AUDIO/VIDEO STEREO RECEIVER

VSX-D906S

VSX-07TX

VSX-09TX

THIS MANUAL IS APPLICABLE TO THE FOLLOWING MODEL(S) AND TYPE(S).

Type	Model			Power Requirement	The voltage can be converted by the following method.
	VSX-D906S	VSX-07TX	VSX-09TX		
KU	○	—	—	AC120V	—
KC	○	—	—	AC120V	—
SD	○	—	—	AC110V/120 – 127V/220V/240V	With the voltage selector
KU/CA	—	○	○	AC120V	—

CONTENTS

- 1. SAFETY INFORMATION 2
- 2. EXPLODED VIEWS AND PARTS LIST 3
- 3. SCHEMATIC DIAGRAM 12
- 4. PCB CONNECTION DIAGRAM 49
- 5. PCB PARTS LIST 80
- 6. ADJUSTMENT 93
- 7. GENERAL INFORMATION 96
 - 7.1 PARTS 96
 - 7.1.1 IC 96
 - 7.1.2 DISPLAY 100
 - 7.2 BLOCK DIAGRAM 102
 - 7.3 REMOTE CONTROL UNIT 104
- 8. PANEL FACILITIES AND SPECIFICATIONS 108

PIONEER ELECTRONIC CORPORATION 4-1, Meguro 1-Chome, Meguro-ku, Tokyo 153, Japan
PIONEER ELECTRONICS SERVICE, INC. P.O.Box 1760, Long Beach, CA 90801-1760, U.S.A.
PIONEER ELECTRONIC [EUROPE] N.V. Haven 1087, Keetberglaan 1, 9120 Melsele, Belgium
PIONEER ELECTRONICS ASIACENTRE PTE. LTD. 501 Orchard Road, #10-00 Lane Crawford Place, Singapore 0923

© PIONEER ELECTRONIC CORPORATION 1997

T-FZK MAY 1997 Printed in Belgium

1. SAFETY INFORMATION

This service manual is intended for qualified service technicians; it is not meant for the casual do-it-yourselfer. Qualified technicians have the necessary test equipment and tools, and have been trained to properly and safely repair complex products such as those covered by this manual. Improperly performed repairs can adversely affect the safety and reliability of the product and may void the warranty. If you are not qualified to perform the repair of this product properly and safely, you should not risk trying to do so and refer the repair to a qualified service technician.

WARNING

Lead in solder used in this product is listed by the California Health and Welfare agency as a known reproductive toxicant which may cause birth defects or other reproductive harm (California Health & Safety Code, Section 25249.5).

When servicing or handling circuit boards and other components which contain lead in solder, avoid unprotected skin contact with the solder. Also, when soldering do not inhale any smoke or fumes produced.


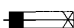
NOTICE

(FOR CANADIAN MODEL ONLY)

Fuse symbols  (fast operating fuse) and/or  (slow operating fuse) on PCB indicate that replacement parts must be of identical designation.

REMARQUE

(POUR MODÈLE CANADIEN SEULEMENT)

Les symboles de fusible  (fusible de type rapide) et/ou  (fusible de type lent) sur CCI indiquent que les pièces de remplacement doivent avoir la même désignation.

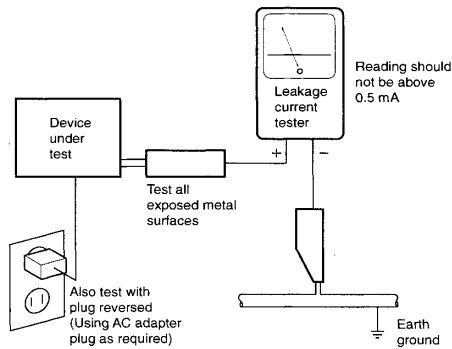
(FOR USA MODEL ONLY)

1. SAFETY PRECAUTIONS

The following check should be performed for the continued protection of the customer and service technician.

LEAKAGE CURRENT CHECK

Measure leakage current to a known earth ground (water pipe, conduit, etc.) by connecting a leakage current tester such as Simpson Model 229-2 or equivalent between the earth ground and all exposed metal parts of the appliance (input/output terminals, screwheads, metal overlays, control shaft, etc.). Plug the AC line cord of the appliance directly into a 120V AC 60 Hz outlet and turn the AC power switch on. Any current measured must not exceed 0.5 mA.



AC Leakage Test

ANY MEASUREMENTS NOT WITHIN THE LIMITS OUTLINED ABOVE ARE INDICATIVE OF A POTENTIAL SHOCK HAZARD AND MUST BE CORRECTED BEFORE RETURNING THE APPLIANCE TO THE CUSTOMER.

2. PRODUCT SAFETY NOTICE

Many electrical and mechanical parts in the appliance have special safety related characteristics. These are often not evident from visual inspection nor the protection afforded by them necessarily can be obtained by using replacement components rated for voltage, wattage, etc. Replacement parts which have these special safety characteristics are identified in this Service Manual.

Electrical components having such features are identified by marking with a ! on the schematics and on the parts list in this Service Manual.

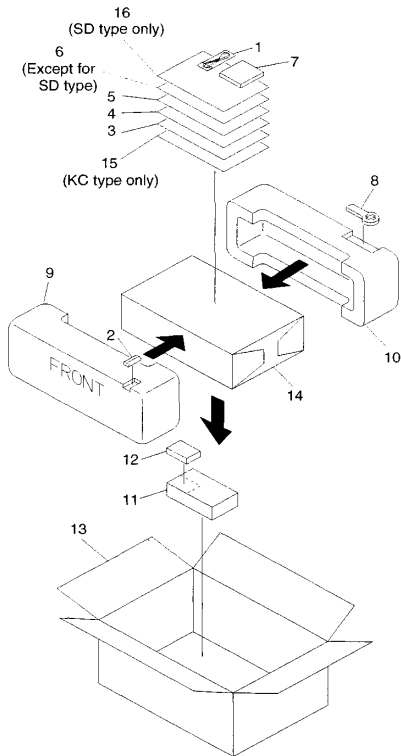
The use of a substitute replacement component which does not have the same safety characteristics as the PIONEER recommended replacement one, shown in the parts list in this Service Manual, may create shock, fire, or other hazards.

Product Safety is continuously under review and new instructions are issued from time to time. For the latest information, always consult the current PIONEER Service Manual. A subscription to, or additional copies of, PIONEER Service Manual may be obtained at a nominal charge from PIONEER.

2. EXPLODED VIEWS AND PARTS LIST

- NOTES: • Parts marked by "NSP" are generally unavailable because they are not in our Master Spare Parts List.
 • The Δ mark found on some component parts indicates the importance of the safety factor of the part. Therefore, when replacing, be sure to use parts of identical designation.
 • Screws adjacent to \blacktriangledown mark on product are used for disassembly.

2.1 PACKING



(1) PARTS LIST

Mark	No.	Description	Parts No.
NSP	1	FM Antenna	ADH1015
	2	Alkaline Dry Cell Batteries (LR6. AA)	AEX1007
	3	Operating Instructions	See Contrast table (2)
	4	Sub Instruction Manual ISC (English)	ARH7022
	5	Sub Instruction Manual AC-3 (English)	ARH7023
NSP	6	Warranty Card	See Contrast table (2)
	7	AM Loop Antenna	ATB1005
	8	Remote Control Unit	See Contrast table (2)
	9	Front Pad	See Contrast table (2)
	10	Rear Pad	See Contrast table (2)
NSP	11	Sub Pad A	AHA7171
	12	Sub Pad B	AHA7172
	13	Packing Case	See Contrast table (2)
	14	Packing Sheet	See Contrast table (2)
	15	Operating Instructions	See Contrast table (2)
	16	Caution 220V	See Contrast table (2)

(2) CONTRAST TABLE

VSX-D906S/KC, VSX-D906S/SD, VSX-07TX/KU/CA, VSX-09TX/KU/CA and VSX-D906S/KU have the same construction except for the following:

Mark	No.	Symbol & Description	Part No.				Remarks
			VSX-D906S /KU	VSX-D906S /KC	VSX-D906S /SD	VSX-07TX /KU/CA	
NSP	3	Operating Instructions (English)	ARB7111	ARB7111	Not used	ARB7129	ARB7129
	3	Operating Instructions (English/Spanish/Chinese)	Not used	Not used	ARC7159	Not used	Not used
	6	Warranty Card	ARY1044	ARY1039	Not used	ARY1026	ARY1026
	8	Remote Control Unit (CU - VSX117)	AXD7127	AXD7127	Not used	Not used	Not used
NSP	8	Remote Control Unit (CU - VSX122)	Not used	Not used	AXD7122	AXD7122	AXD7122
	9	Front Pad	AHA7158	AHA7158	AHA7158	AHA7158	AHA7161
	10	Rear Pad	AHA7159	AHA7159	AHA7159	AHA7159	AHA7160
	13	Packing Case	AHD7441	AHD7441	AHD7442	AHD7443	AHD7444
NSP	14	Packing Sheet	RHC1023	RHC1023	RHC1023	RHC1023	Not used
	14	Packing Sheet	Not used	Not used	Not used	Not used	AHG7046
NSP	15	Operating Instructions (French)	Not used	ARC7158	Not used	Not used	Not used
	16	Caution 220V	Not used	Not used	ARR - 003	Not used	Not used

VSX-D906S, VSX-07TX, VSX-09TX

(1) PARTS LIST

Mark	No.	Description	Parts No.	Mark	No.	Description	Parts No.
	1	AUDIO ASSY	See Contrast table (2)		41	Screw	ABA1018
NSP	2	AUDIO/VIDEO ASSY	See Contrast table (2)		42	Screw (Steel)	ABA1053
	3	VIDEO ASSY	See Contrast table (2)		43	Screw	ABA1054
NSP	4	PRE – OUT & SR ASSY	See Contrast table (2)		44	Screw (Steel)	ABA1193
	5	S – VIDEO ASSY	See Contrast table (2)		45	Adjust Spring	ABK7013
	6	SP TERMINAL ASSY	See Contrast table (2)		46	Rivet	AEC – 441
NSP	7	PRIMARY ASSY	See Contrast table (2)		47	PCB Holder	AEC7073
	8	TRANS TERMINAL ASSY	AWZ8730	NSP	48	Card Spacer	AEC7081
	9	POWER SUPPLY ASSY	See Contrast table (2)	NSP	49	Barrier	AEC7089
NSP	10	CONNECTION ASSY	AWZ8732		50	Mini Card Spacer	AEC7092
	11	MASTER VR ASSY	AWZ8734		51	T Type Push Rivet	AEC7093
	12	REGULATOR (1) ASSY	AWZ8735		52	Barrier	AEC7095
	13	REGULATOR (2) ASSY	AWZ8736		53	Stud Cover	AEC7096
NSP	14	E VR ASSY	See Contrast table (2)		54	Cord Stopper	See Contrast table (2)
NSP	15	REGULATOR (3) ASSY	AWZ8819		55	PCB Mould	AMR1525
	16	V – AMP ASSY	AWZ8874		56	Locking Card Spacer	DEC1908
	17	DOLBY DIGITAL ASSY	AWX7038		57	Card Spacer	DNK2769
	18	FM/AM TUNER MODULE	See Contrast table (2)		58	Stopper	PNM1134
	19	LIMITTER ASSY	See Contrast table (2)	NSP	59	PCB Holder	REC1258
	20	Terminal Screw	AKE – 031	NSP	60	Clamper	RNE1277
△	21	FU1 Fuse (10A)	See Contrast table (2)	NSP	61	PC Support	VEC1749
NSP	22	8P Shielded Cable	ADX1941		62	Volume Knob	See Contrast table (2)
△	23	T1 Power Transformer	See Contrast table (2)		63	Bonnet Case	See Contrast table (2)
△	24	Fan Motor	AXM7012		64	Screw	BBZ30P080FZK
NSP	25	Jumper Wire	D15A10 – 200 – 2651		65	Screw	BBZ30P300FMC
NSP	26	Jumper Wire 11P	D20PYY1115E		66	Screw	BMZ30P080FMC
NSP	27	Jumper Wire 15P	D20PYY1515E		67	Screw	BPZ30P080FZK
△	28	AC Power Cord	See Contrast table (2)		68	Screw	See Contrast table (2)
NSP	29	Chassis	See Contrast table (2)		69	Screw	IBZ30P100FCC
	30	Rear Panel	See Contrast table (2)		70	
NSP	31	Bottom Plate	See Contrast table (2)		71	
NSP	32	Sub Heat Sink	ANH7055	△	72	FU2, FU3 Fuse (T5A)	See Contrast table (2)
	33	Insulator	PNW2020	△	73	Voltage Selector	See Contrast table (2)
	34	Foot	REC1263	△	74	Voltage Selector	See Contrast table (2)
	35	PCB Holder	ANG1807	NSP	75	PCB Holder	See Contrast table (2)
	36	Assy Holder	See Contrast table (2)		76	Side Sash L	See Contrast table (2)
NSP	37	Sub Flame	See Contrast table (2)		77	Screw	See Contrast table (2)
	38	Screw	ABA – 298		78	Screw (Steel)	See Contrast table (2)
NSP	39	Spacer	AEB1254		79	Side Board L	See Contrast table (2)
	40	Screw (Steel)	ABA1006		80	Side Board R	See Contrast table (2)
					81	Side Sash R	See Contrast table (2)

VSX-D906S, VSX-07TX, VSX-09TX

(2) CONTRAST TABLE

VSX-D906S/KC, VSX-D906S/SD, VSX-07TX/KU/CA, VSX-09TX/KU/CA and VSX-D906S/KU have the same construction except for the following:

Mark	No.	Symbol & Description	Part No.					Remarks
			VSX-D906S /KU	VSX-D906S /KC	VSX-D906S /SD	VSX-07TX /KU/CA	VSX-09TX /KU/CA	
NSP	1	AUDIO ASSY	AWZ8763	AWZ8763	AWZ8763	AWZ8718	AWZ8762	
	2	AUDIO/VIDEO ASSY	AWZ8766	AWZ8766	AWZ8766	AWZ8719	AWZ8765	
NSP	3	VIDEO ASSY	AWZ8769	AWZ8769	AWZ8769	AWZ8720	AWZ8768	
	4	PRE-OUT & SR ASSY	AWZ8774	AWZ8774	AWZ8774	AWZ8722	AWZ8773	
	5	S-VIDEO ASSY	AWZ8808	AWZ8808	AWZ8808	AWZ8721	AWZ8771	
NSP	6	SP TERMINAL ASSY	AWZ8727	AWZ8727	AWZ8788	AWZ8727	AWZ8727	
	7	PRIMARY ASSY	AWZ8728	AWZ8728	AWZ8790	AWZ8728	AWZ8728	
NSP	9	POWER SUPPLY ASSY	AWZ8792	AWZ8792	AWZ8870	AWZ8729	AWZ8729	
	14	E VR ASSY	AWZ8786	AWZ8786	AWZ8733	AWZ8733	AWZ8733	
	18	FM/AM TUNER MODULE	AXQ7219	AXQ7219	AXQ1012	AXQ7219	AXQ7219	
	19	LIMITTER ASSY	Not used	Not used	AWK7406	AWK7406	AWK7406	
	21	FU1 Fuse (10A)	VEK1029	VEK1029	Not used	VEK1029	VEK1029	
	23	T1 Power Transformer (AC120V)	ATS7172	ATS7172	Not used	ATS7172	ATS7172	
	23	T1 Power Transformer (AC110V/120 - 127V/220V/240V)	Not used	Not used	ATS7173	Not used	Not used	
	28	AC Power Cord	PDG1015	PDG1015	PDG1056	VDG1046	VDG1046	
NSP	29	Chassis	ANA7058	ANA7058	ANA7058	ANA7058	ANA7061	
	30	Rear Panel	ANC7572	ANC7572	ANC7574	ANC7573	ANC7581	
NSP	31	Bottom Plate	ANF7004	ANF7004	ANF7004	ANF7004	ANF7006	
	36	ASSY Holder	ANG7121	ANG7121	ANG7121	ANG7121	ANG7139	
NSP	37	Sub Flame	ANG7137	ANG7137	ANG7137	ANG7137	ANG7138	
	54	Cord Stopper	AEP - 113	AEP - 113	AEC - 882	ANG1153	ANG1153	
	62	Volume Knob	AAB7125	AAB7125	AAB7125	AAB7125	AAB7127	
	63	Bonnet Case	AZN7678	AZN7678	AZN7678	AZN7678	AZN7679	
	68	Screw	FBT40P080FZK	FBT40P080FZK	FBT40P080FZK	FBT40P080FZK	Not used	
	72	FU2, FU3 Fuse (T5A)	Not used	Not used	AEK1061	Not used	Not used	
	73	Voltage Selector	Not used	Not used	AKX - 507	Not used	Not used	
	74	Voltage Selector	Not used	Not used	AKX1004	Not used	Not used	
NSP	75	PCB Holder	Not used	Not used	PNW2100	PNW2100	PNW2100	
	76	Side Sash L	Not used	Not used	Not used	Not used	AAP7035	
	77	Screw	Not used	Not used	Not used	Not used	ABA1086	
	78	Screw (Steel)	Not used	Not used	Not used	Not used	AEC1165	
	79	Side Board L	Not used	Not used	Not used	Not used	AMS7009	
	80	Side Board R	Not used	Not used	Not used	Not used	AMS7010	
	81	Side Sash R	Not used	Not used	Not used	Not used	AAP7036	

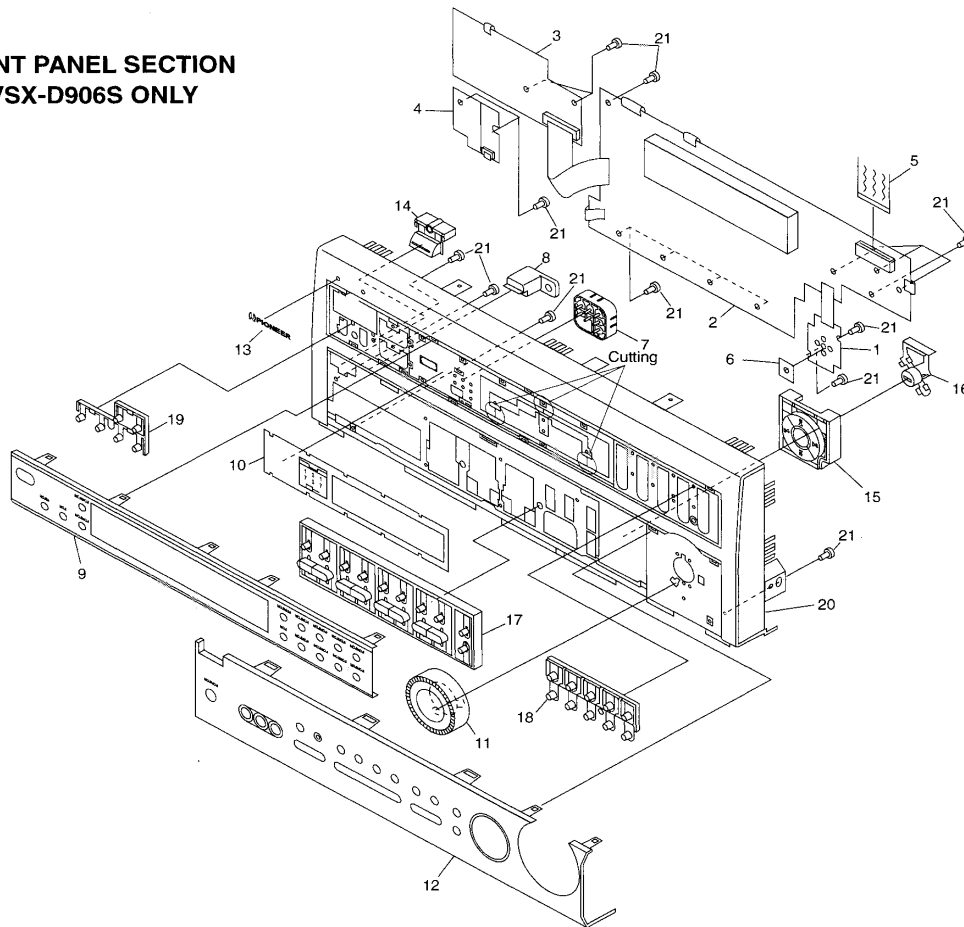
VSX-D906S, VSX-07TX, VSX-09TX

• PARTS LIST

Mark	No.	Description	Parts No.
	1	CURR DRIVE ASSY	AWZ8717
	2	VOLTAGE AMP ASSY (KU AND KC TYPES)	AWZ8776
	2	VOLTAGE AMP ASSY (SD AND KU/CA TYPES)	AWZ8716
	3	TH901 Thermistor	AEX7004
△	4	Q41 – Q45 Power Mos FET	IRF540
△	5	Q51 – Q55 Power Mos FET	IRF9540
△	6	Q21, Q22, Q31 – Q33 Transistor	2SC4793
NSP	7	Radiator	ANH7054
NSP	8	Radiator	ANH7061
	9	Screw	ABA – 298
	10	Screw	ABA1054
	11	Screw (Steel)	ABA1194
	12	Rivet	AEC – 441
	13	Radiator Mold	AMR7173

VSX-D906S, VSX-07TX, VSX-09TX

2.4 FRONT PANEL SECTION For VSX-D906S ONLY



(1) PARTS LIST

Mark No.	Description	Parts No.	Mark No.	Description	Parts No.
NSP 1	KEY ASSY	AWZ8724	11	Volume Ring	See Contrast table (2)
NSP 2	FL-UCOM ASSY	See Contrast table (2)	12	Center Panel	AMB7432
NSP 3	RMC ASSY	See Contrast table (2)	13	Name Plate	VAM1032
NSP 4	POWER SWITCH ASSY	AWZ8784	14	Power Button	AAD7377
5	FFC 29P	ADD7060	15	5-Action Button	AAD7378
6	Himelton Sheet	AED7019	16	Enter Button	AAD7379
7	LED Lens	AAK7377	17	Regular Button	AAD7380
8	Standby Lens	AAK7378	18	Function Button	AAD7381
9	Display Panel	See Contrast table (2)	19	Input Button	AAD7382
10	FL Filter	AAK7382	20	Front Panel	AMB7433
			21	Screw	BPZ30P080FMC

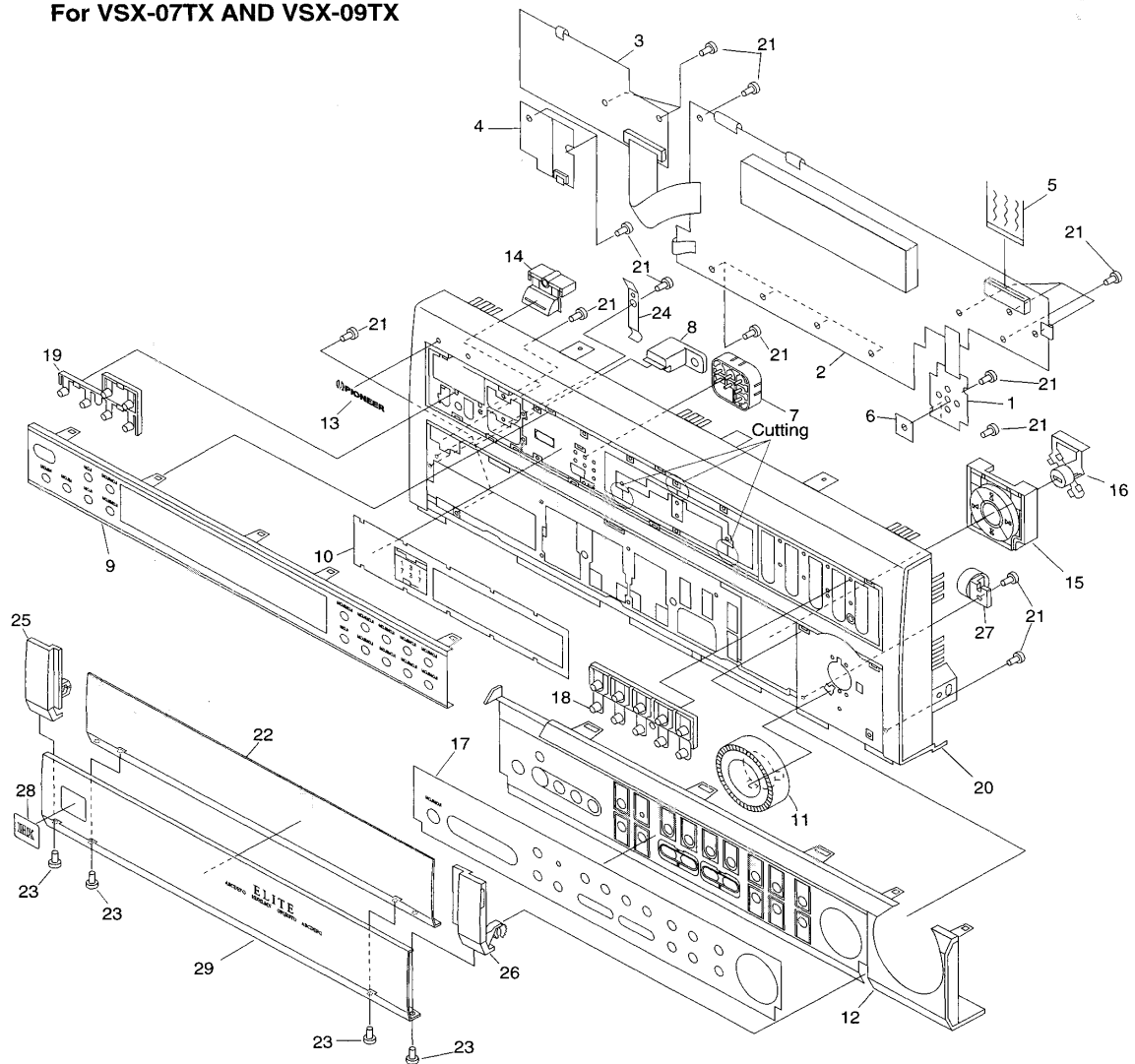
(2) CONTRAST TABLE

VSX-D906S/KC, VSX-D906S/SD and VSX-D906S/KU have the same construction except for the following:

Mark	No.	Symbol & Description	Part No.			Remarks
			VSX-D906S/KU	VSX-D906S/KC	VSX-D906S/SD	
NSP	2	FL-UCOM ASSY	AWZ8779	AWZ8779	AWZ8868	
	3	RMC ASSY	AWZ8782	AWZ8782	AWZ8869	
	9	Display Panel	AAK7380	AAK7380	AAK7423	
	11	Volume Ring	AAK7383	AAK7383	AAK7384	

VSX-D906S, VSX-07TX, VSX-09TX

For VSX-07TX AND VSX-09TX



- PARTS LIST

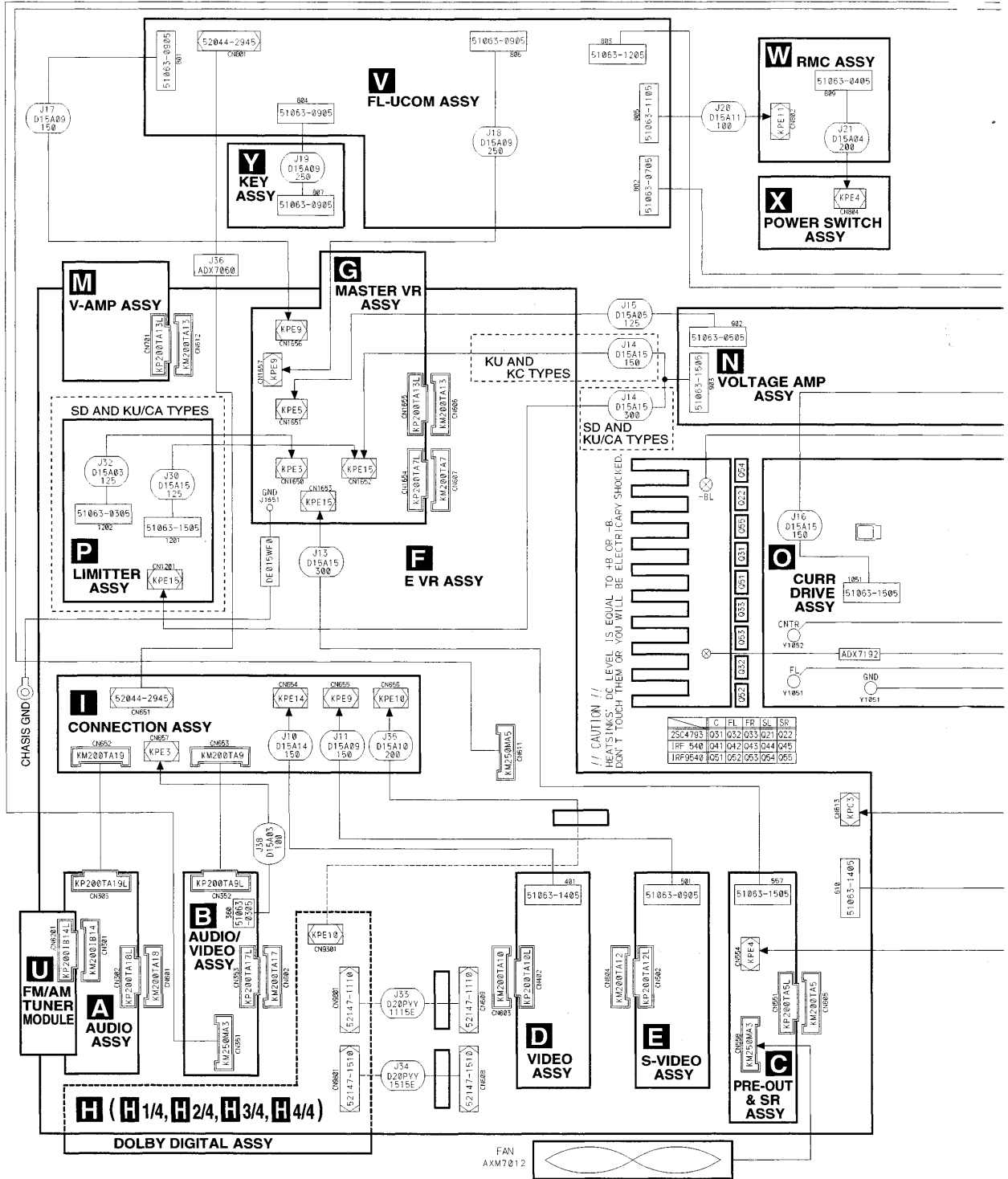
Mark	No.	Description	Parts No.	Mark	No.	Description	Parts No.
NSP	1	KEY ASSY	AWZ8724	16	Enter Button	AAD7379	
NSP	2	FL-UCOM ASSY	AWZ8723	17	PVC Panel	AAK7385	
NSP	3	RMC ASSY	AWZ8725	18	Function Button	AAD7381	
NSP	4	POWER SWITCH ASSY	AWZ8784	19	Input Button	AAD7382	
	5	FFC 29P	ADD7060	20	Front Panel (VSX-07TX)	AMB7434	
	6	Himelon Sheet	AED7019	20	Front Panel (VSX-09TX)	AMB7436	
	7	LED Lens	AAK7377	21	Screw	BPZ30P080FMC	
	8	Standby Lens	AAK7378	22	Door Plate	ANG7129	
	9	Display Panel	AAK7379	23	Screw	ABA7023	
	10	FL Filter	AAK7381	24	Spring	ABK7012	
	11	Volume Ring	AAK7384	25	Door Hinge L	AMR7174	
	12	Sub Panel	AMB7437	26	Door Hinge R	AMR7175	
	13	Name Plate	VAM1032	27	Damper Assy	AXA1008	
	14	Power Button	AAD7377	28	THX Badge	AAM7003	
	15	5-Action Button	AAD7378	29	Door Panel	AMB7438	

VSX-D906S, VSX-07TX, VSX-09TX

3. SCHEMATIC DIAGRAM

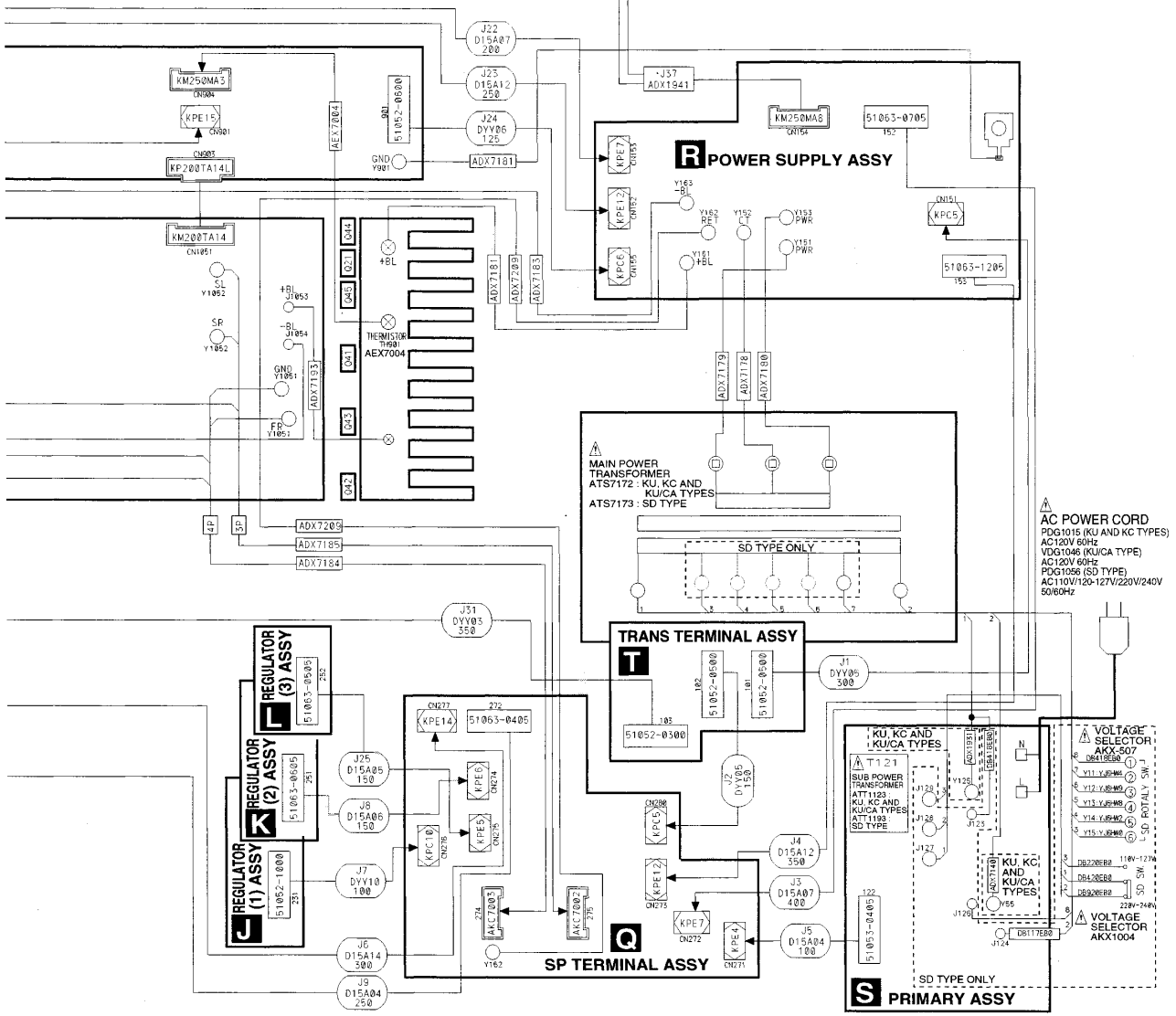
Note : When ordering service parts, be sure to refer to "EXPLODED VIEWS and PARTS LIST" or "PCB PARTS LIST"

3.1 OVERALL CONNECTION DIAGRAM



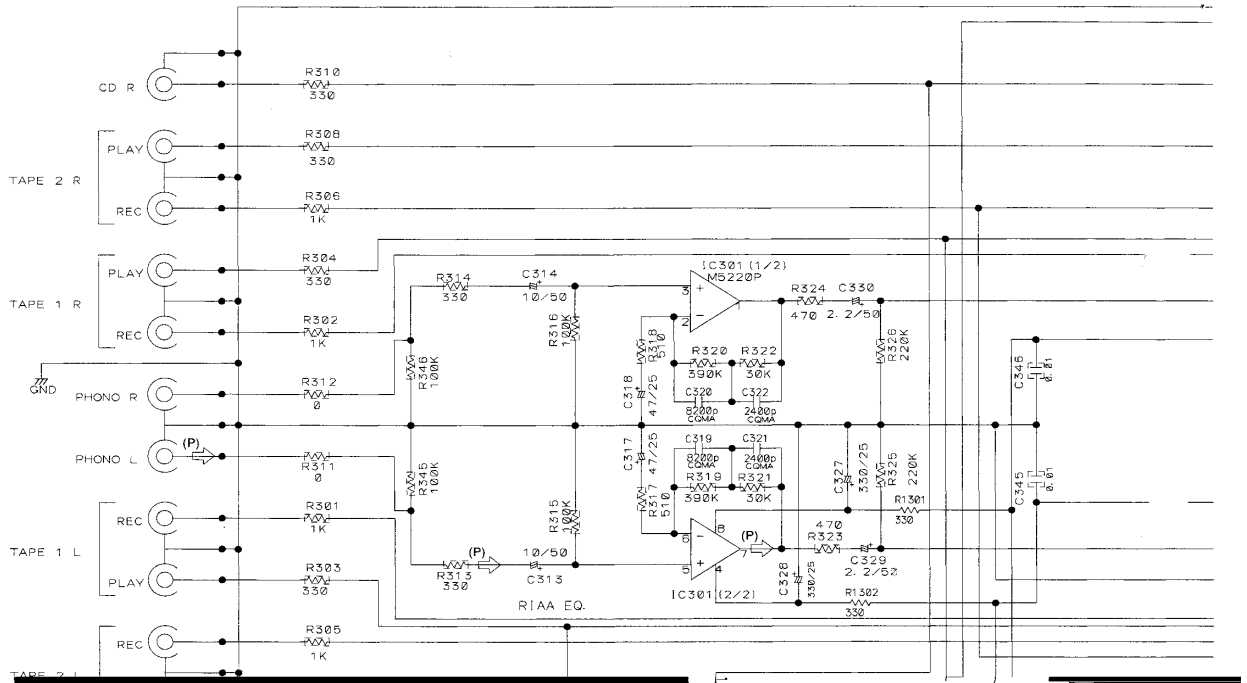
VSX-D906S, VSX-07TX, VSX-09TX

	VSX-D906S KU AND KC	VSX-D906S SD	VSX-07TX KU/CA	VSX-09TX KU/CA		VSX-D906S KU AND KC	VSX-D906S SD	VSX-07TX KU/CA	VSX-09TX KU/CA	
A	AUDIO ASSY	AWZ8763	AWZ8763	AWZ8718	AWZ8762	N	VOLTAGE AMP ASSY	AWZ8776	AWZ8716	AWZ8716
B	AUDIO/VIDEO ASSY	AWZ8766	AWZ8766	AWZ8719	AWZ8765	O	CURR DRIVE ASSY	AWZ8717	AWZ8717	AWZ8717
C	PRE-OUT & SR ASSY	AWZ8774	AWZ8774	AWZ8722	AWZ8773	P	LIMITTER ASSY	Not Used	AWK7406	AWK7406
D	VIDEO ASSY	AWZ8769	AWZ8769	AWZ8720	AWZ8768	Q	SP TERMINAL ASSY	AWZ8727	AWZ8788	AWZ8727
E	S-VIDEO ASSY	AWZ8808	AWZ8808	AWZ8721	AWZ8771	R	POWER SUPPLY ASSY	AWZ8792	AWZ8870	AWZ8729
F	E VR ASSY	AWZ8786	AWZ8733	AWZ8733	AWZ8733	S	PRIMARY ASSY	AWZ8728	AWZ8790	AWZ8728
G	MASTER VR ASSY	AWZ8734	AWZ8734	AWZ8734	AWZ8734	T	TRANS TERMINAL ASSY	AWZ8730	AWZ8730	AWZ8730
H	DOLBY DIGITAL ASSY	AWX7038	AWX7038	AWX7038	AWX7038	U	FM/AM TUNER MODULE	AXQ7219	AXQ1012	AXQ7219
I	CONNECTION ASSY	AWZ8732	AWZ8732	AWZ8732	AWZ8732	V	FL-UCOM ASSY	AWZ8779	AWZ8868	AWZ8723
J	REGULATOR (1) ASSY	AWZ8735	AWZ8735	AWZ8735	AWZ8735	W	RMC ASSY	AWZ8782	AWZ8869	AWZ8725
K	REGULATOR (2) ASSY	AWZ8736	AWZ8736	AWZ8736	AWZ8736	X	POWER SWITCH ASSY	AWZ8784	AWZ8784	AWZ8784
L	REGULATOR (3) ASSY	AWZ8819	AWZ8819	AWZ8819	AWZ8819	Y	KEY ASSY	AWZ8724	AWZ8724	AWZ8724
M	V-AMP ASSY	AWZ8874	AWZ8874	AWZ8874	AWZ8874					



VSX-D906S, VSX-07TX, VSX-09TX

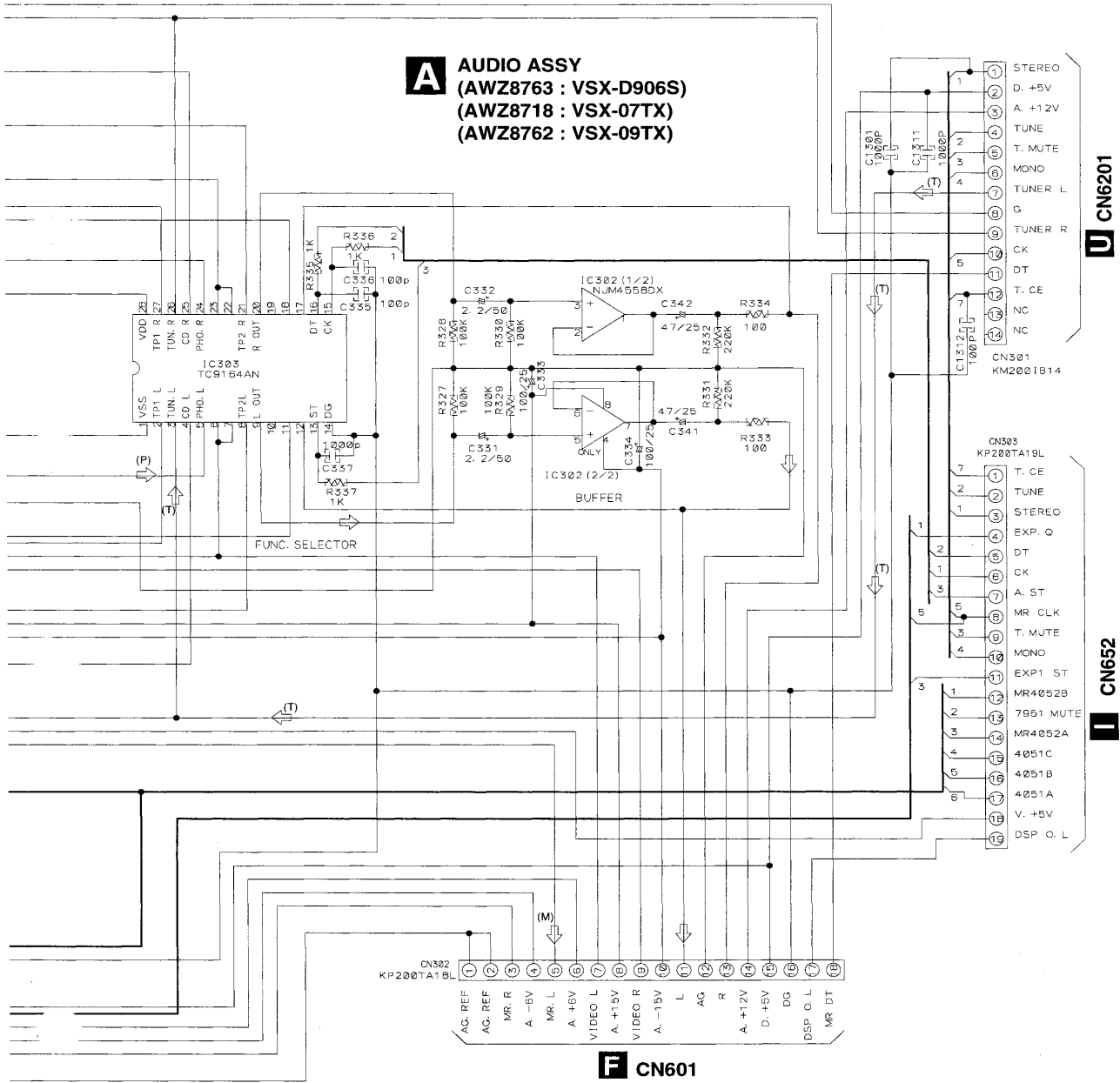
3.2 AUDIO ASSY



VSX-D906S, VSX-07TX, VSX-09TX

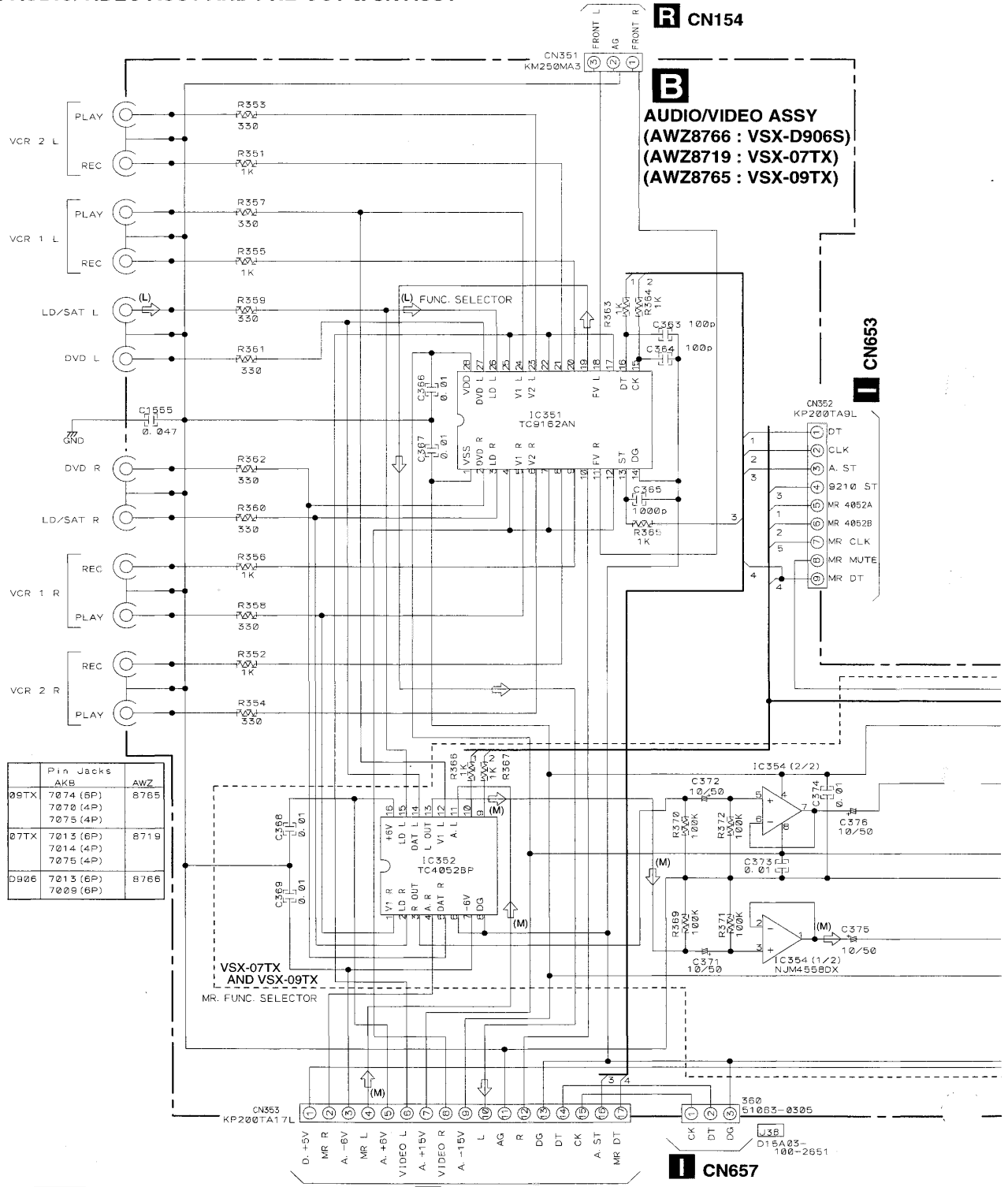
- NOTED
- RESISTORS
Indicated in ohm $\frac{1}{4}W$ $\pm 5\%$ tolerance unless otherwise noted. K: Kohm, M: Mohm, R: Chip Resistor
 - CAPACITORS
Indicated in capacity (uF) / voltage (V) unless otherwise noted. Electrolytic capacitor. \square Chip Capacitor

- \rightarrow : AUDIO SIGNAL ROUTE
 (P) \rightarrow : AUDIO SIGNAL ROUTE (PHONO)
 (T) \rightarrow : AUDIO SIGNAL ROUTE (TUNER)
 (M) \rightarrow : AUDIO SIGNAL ROUTE (MROUT)

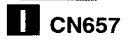


VSX-D906S, VSX-07TX, VSX-09TX

3.3 AUDIO/VIDEO ASSY AND PRE-OUT & SR ASSY



	Pin Jacks	AWZ
	AKB	
09TX	7074 (6P)	8765
	7070 (4P)	
	7075 (4P)	
07TX	7013 (6P)	8719
	7014 (4P)	
	7075 (4P)	
D906	7013 (6P)	8766
	7009 (6P)	



B
AUDIO/VIDEO ASSY
 (AWZ8766 : VSX-D906S)
 (AWZ8719 : VSX-07TX)
 (AWZ8765 : VSX-09TX)



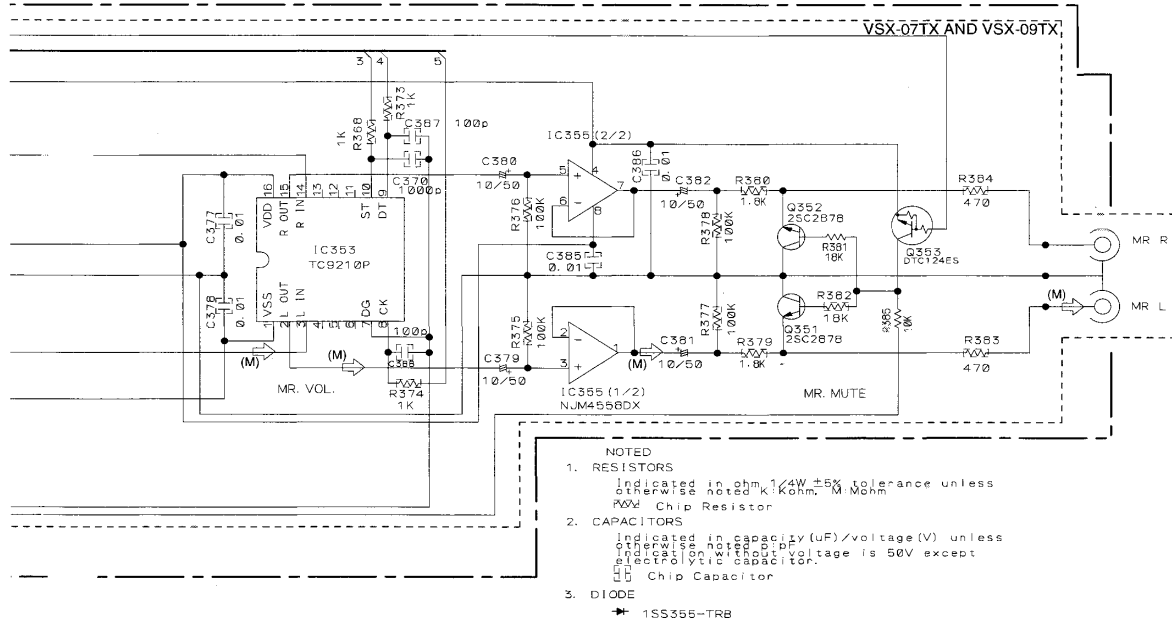
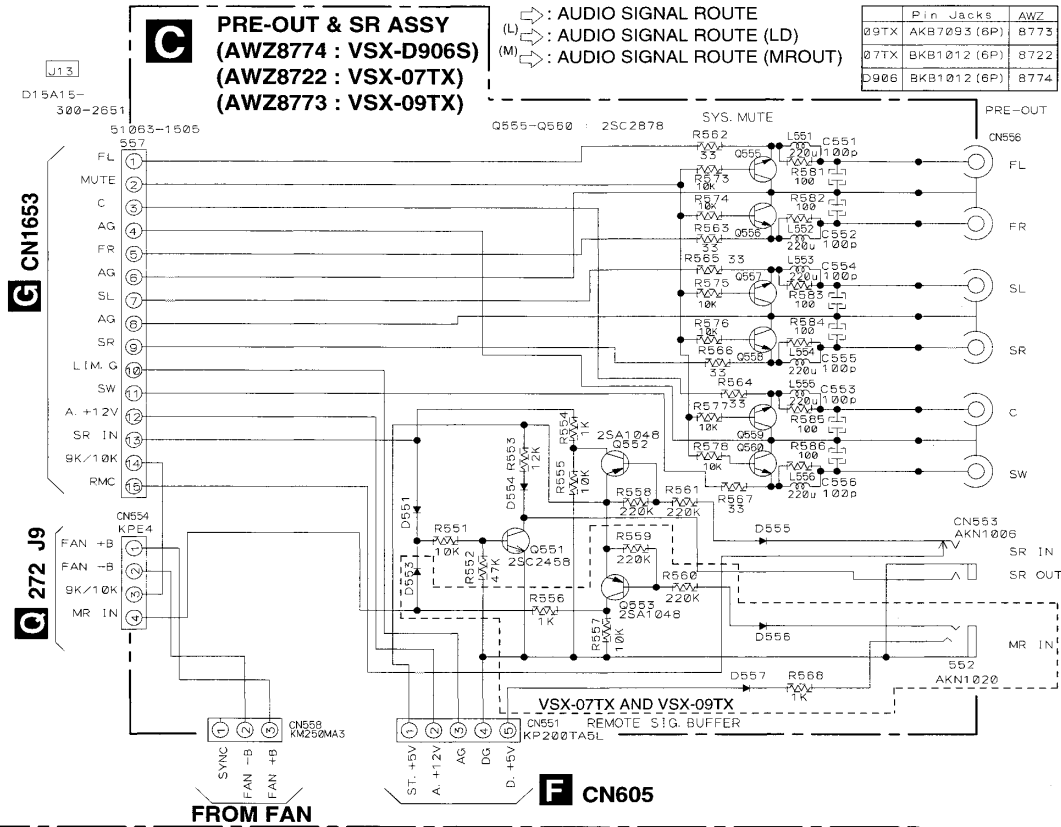
CN652
 KP220TA9L
 1 DT
 2 CLK
 3 A. ST
 4 S210 ST
 5 MR 4052A
 6 MR 4052B
 7 MR CLK
 8 MR MUTE
 9 MR DT

VSX-07TX
 AND VSX-09TX
 MR. FUNC. SELECTOR

CN353
 KP200TA17L
 1 D. +5V
 2 MR R
 3 A. -6V
 4 MR L
 5 A. +6V
 6 VIDEO L
 7 A. +15V
 8 VIDEO R
 9 A. -15V
 10 L
 11 R
 12 AG
 13 DG
 14 DT
 15 CK
 16 A. ST
 17 MR DT

350
 51063-0305
 1 CK
 2 DT
 3 DG
 U3B
 D15A03-
 100-2651

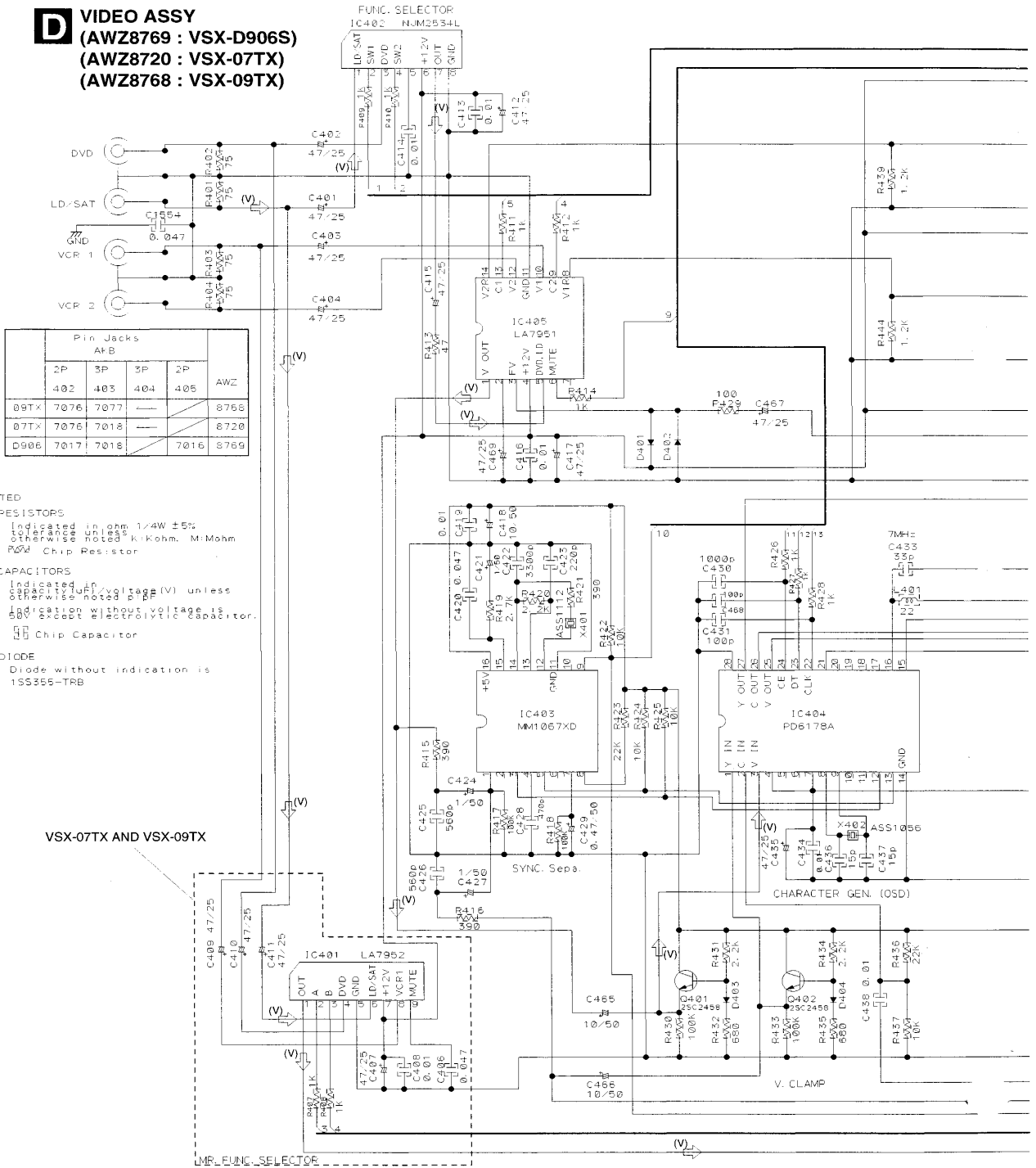
VSX-D906S, VSX-07TX, VSX-09TX



VSX-D906S, VSX-07TX, VSX-09TX

3.4 VIDEO ASSY

D VIDEO ASSY
 (AWZ8769 : VSX-D906S)
 (AWZ8720 : VSX-07TX)
 (AWZ8768 : VSX-09TX)



Pin Jacks				
AFB				
2P	3P	3P	2P	
402	403	404	405	AWZ
09TX	7076	7077		8768
07TX	7076	7018		8720
D906	7017	7018	7016	8769

NOTED

1. RESISTORS

Indicated in ohm 1/4W ±5%
 tolerance
 otherwise noted
 k Kohm, M Mohm
 Chip Resistor

2. CAPACITORS

Indicated in pF
 otherwise noted
 unless otherwise noted
 indication without voltage is
 50V except electrolytic capacitor.
 Chip Capacitor

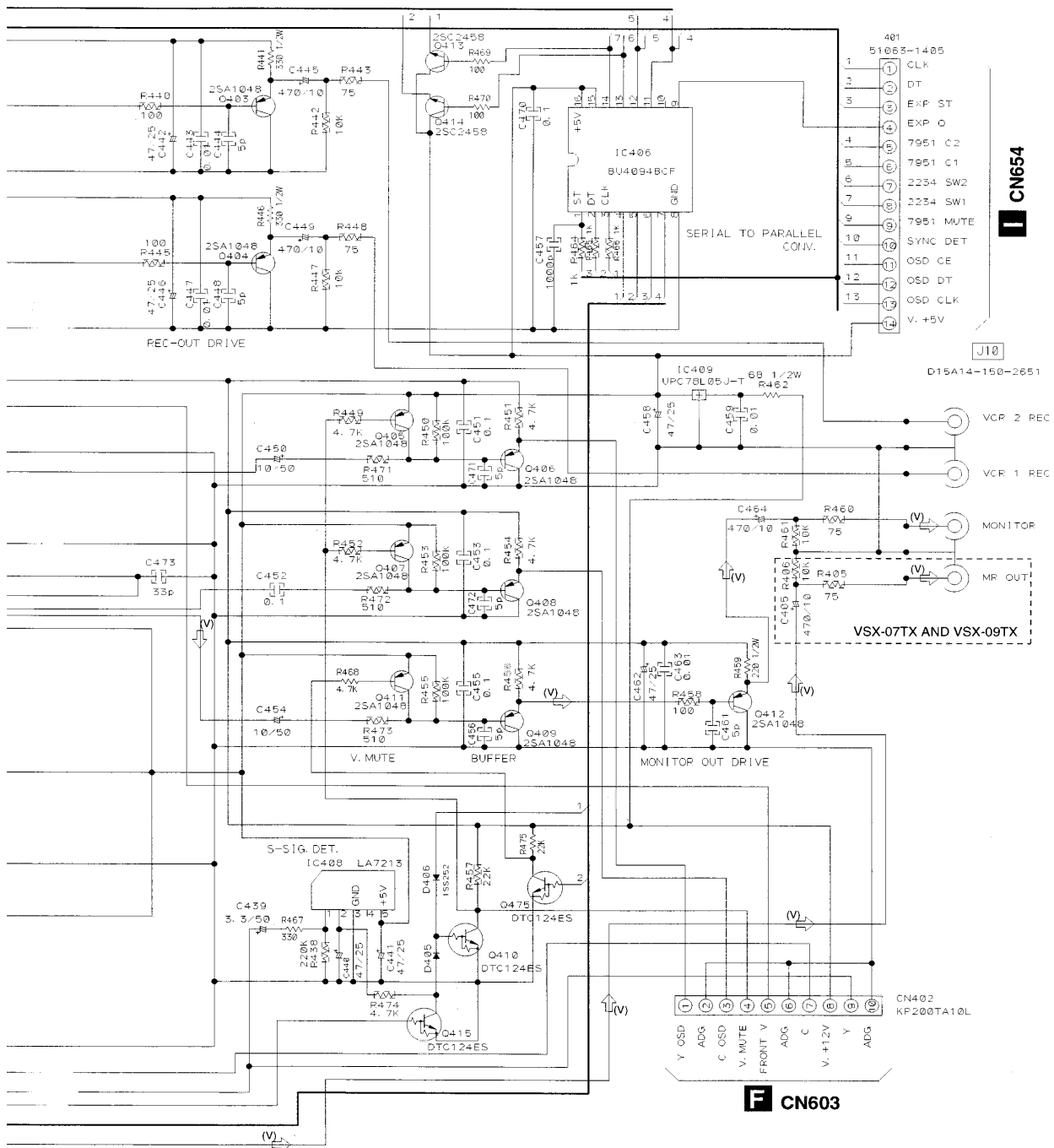
3. DIODE

Diode without indication is
 1SS355-TRB



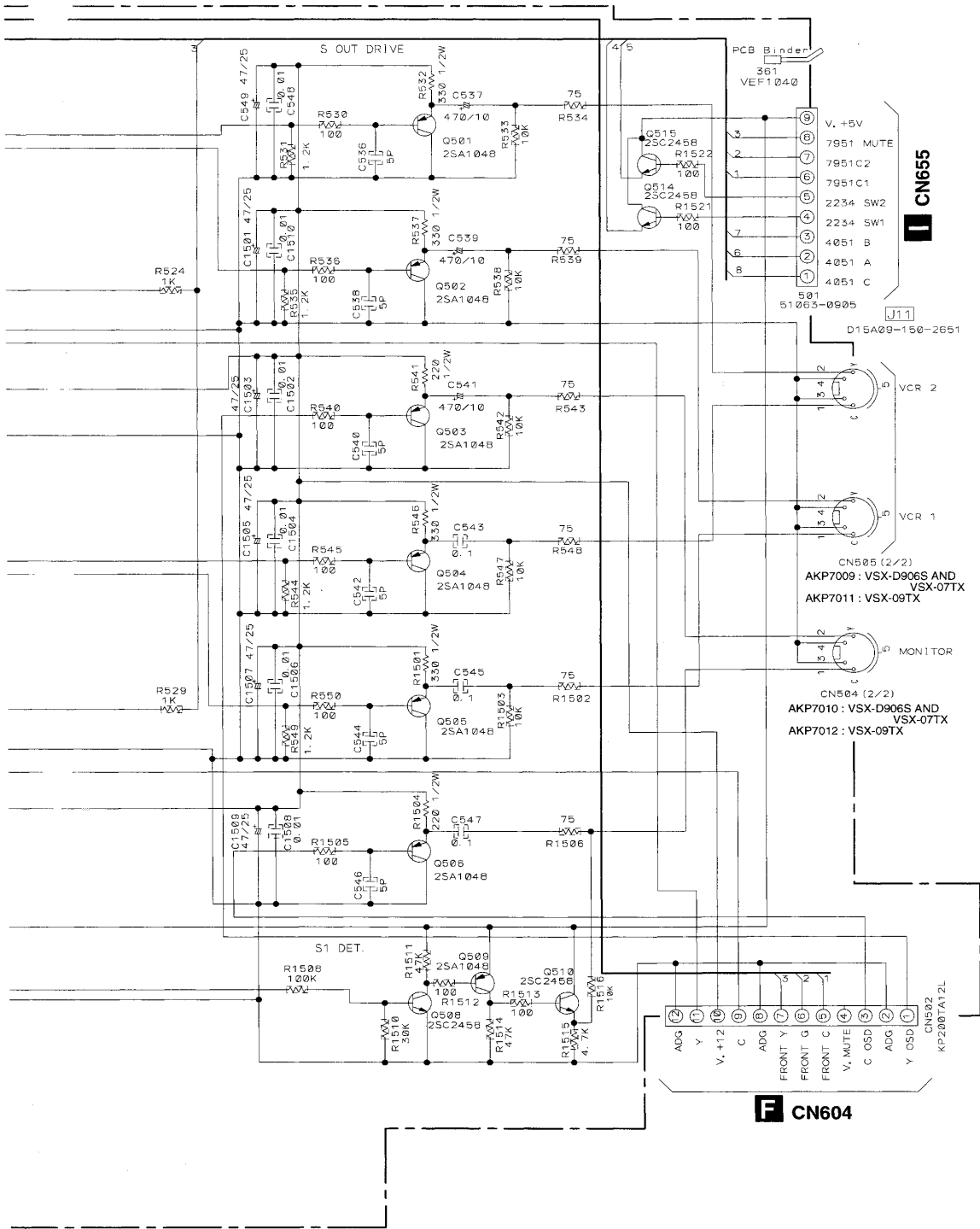
VSX-D906S, VSX-07TX, VSX-09TX

(V) VIDEO SIGNAL ROUTE



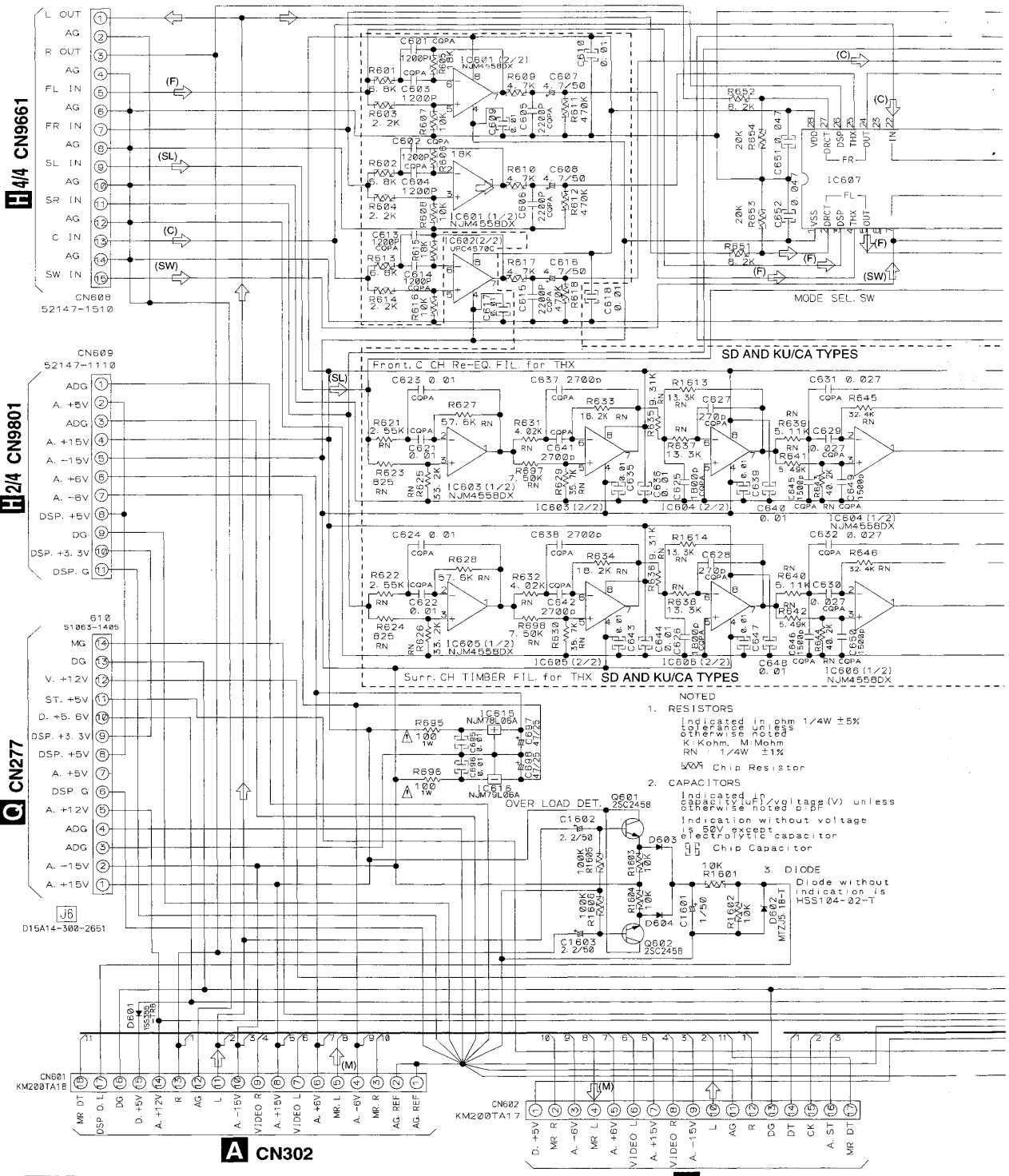
D

VSX-D906S, VSX-07TX, VSX-09TX



VSX-D906S, VSX-07TX, VSX-09TX

3.6 E VR ASSY

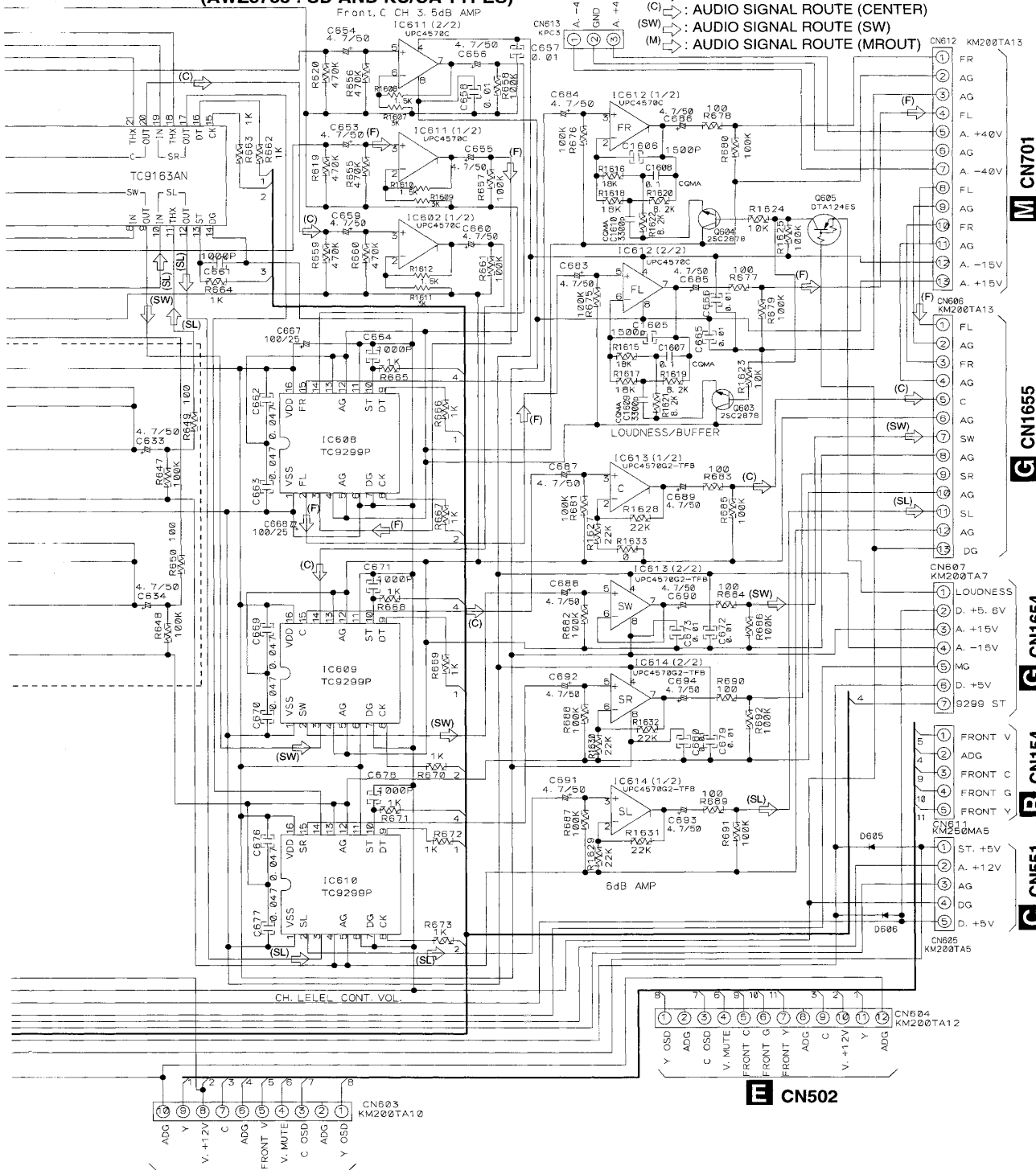


10 10

VSX-D906S, VSX-07TX, VSX-09TX

F E VR ASSY
(AWZ8786 : KU AND KC TYPES)
(AWZ8733 : SD AND KU/CA TYPES)

T 103 J31 (F) : AUDIO SIGNAL ROUTE
(SL) : AUDIO SIGNAL ROUTE (FRONT)
(C) : AUDIO SIGNAL ROUTE (CENTER)
(SW) : AUDIO SIGNAL ROUTE (SW)
(M) : AUDIO SIGNAL ROUTE (MROUT)



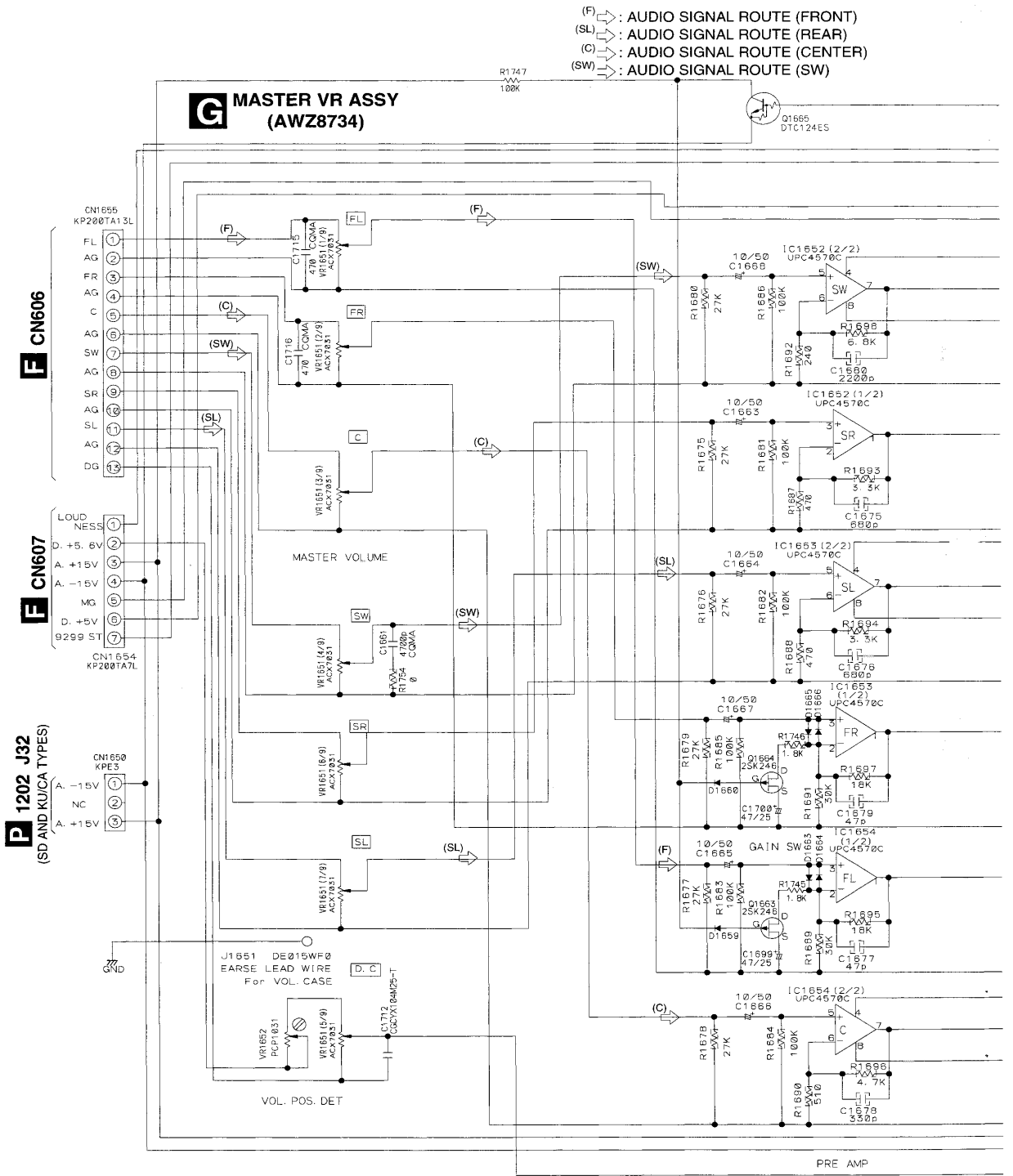
D CN402

E CN502

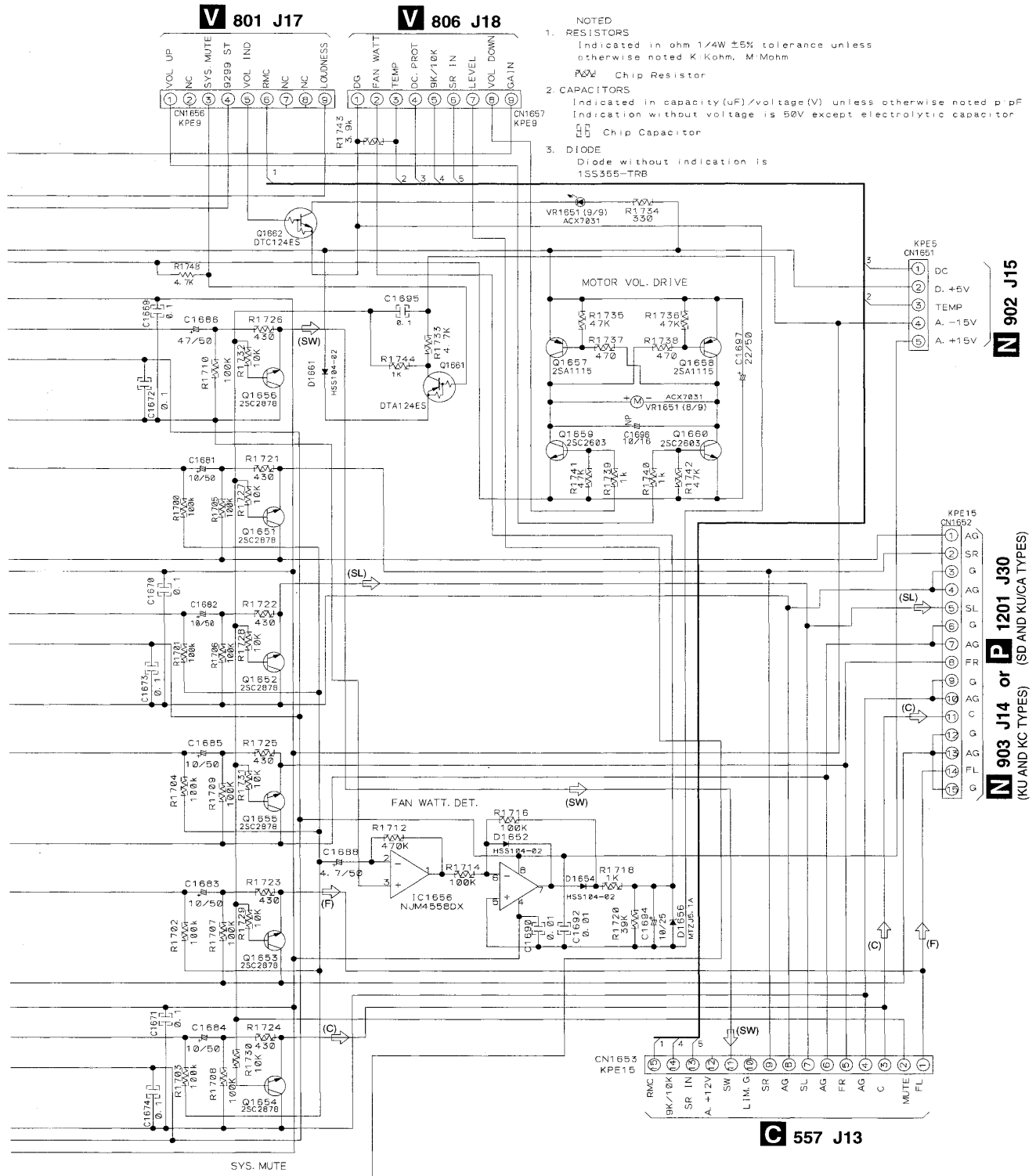
F

VSX-D906S, VSX-07TX, VSX-09TX

3.7 MASTER VR ASSY



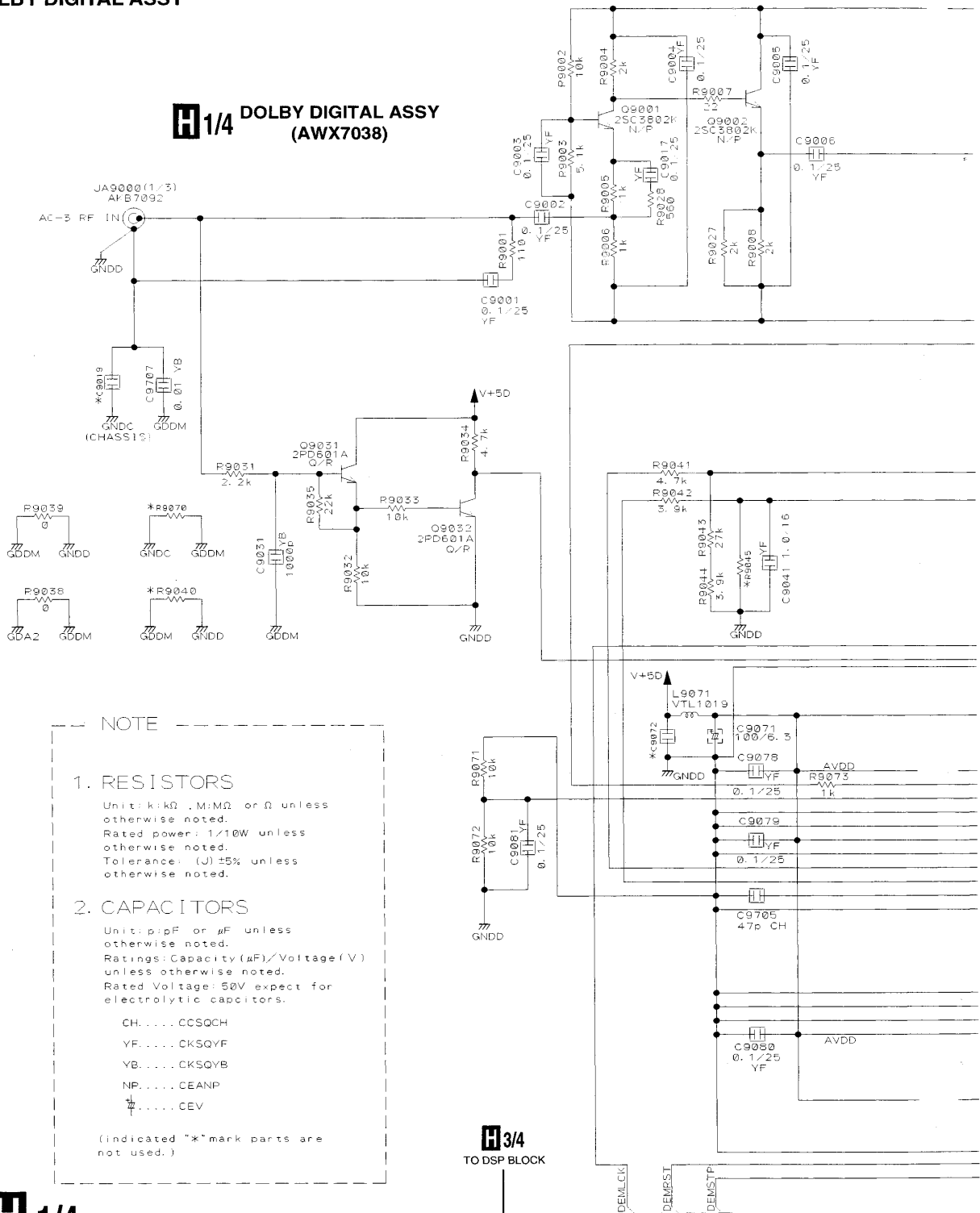
VSX-D906S, VSX-07TX, VSX-09TX



VSX-D906S, VSX-07TX, VSX-09TX

3.8 DOLBY DIGITAL ASSY

1/4 DOLBY DIGITAL ASSY (AWX7038)

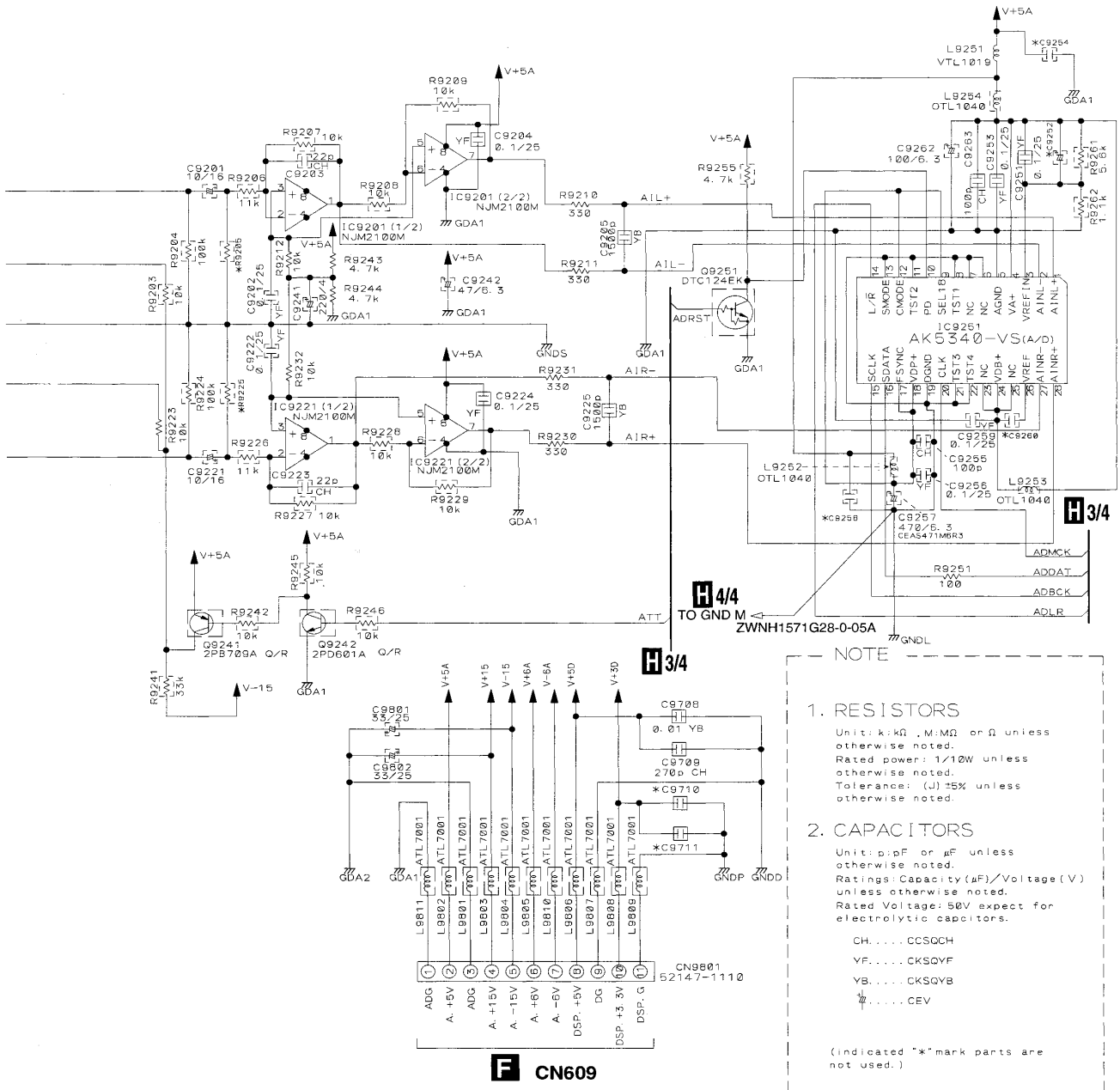


NOTE

- RESISTORS**
Unit: k:kΩ, M:MΩ or Ω unless otherwise noted.
Rated power: 1/10W unless otherwise noted.
Tolerance: (J) ±5% unless otherwise noted.
- CAPACITORS**
Unit: p:pF or μF unless otherwise noted.
Ratings: Capacity (μF)/Voltage (V) unless otherwise noted.
Rated Voltage: 50V except for electrolytic capacitors.

CH.....CCSQCH
YF.....CKSQYF
YB.....CKSQYB
NP.....CEANP
#.....CEV

(indicated "*"mark parts are not used.)



VSX-D906S, VSX-07TX, VSX-09TX

3/4 DOLBY DIGITAL ASSY (AWX7038)

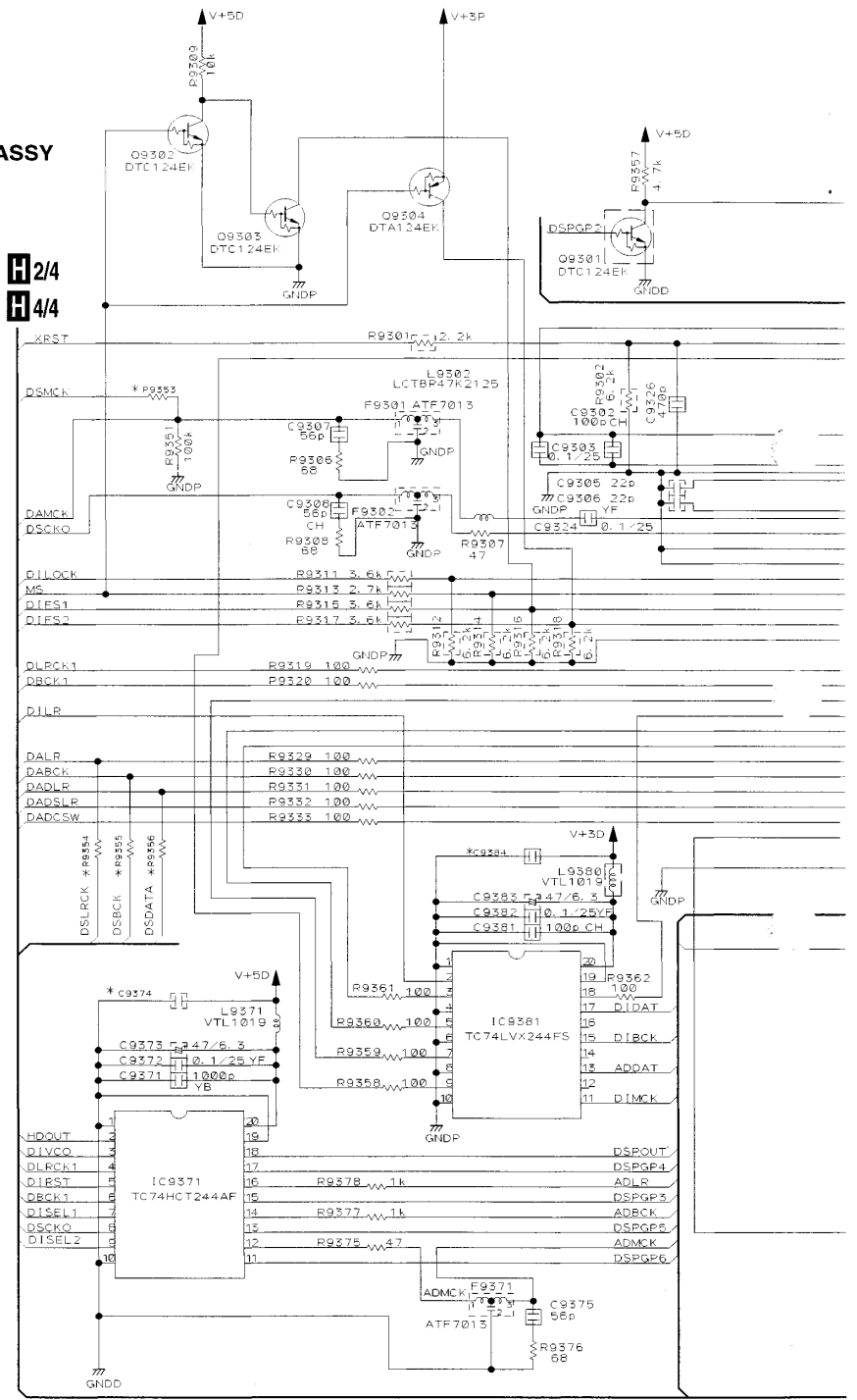
NOTE

1. RESISTORS
 Unit: k Ω , M, m Ω or Ω unless otherwise noted.
 Rated power: 1/10W unless otherwise noted.
 Tolerance: (J) \pm 5% unless otherwise noted.

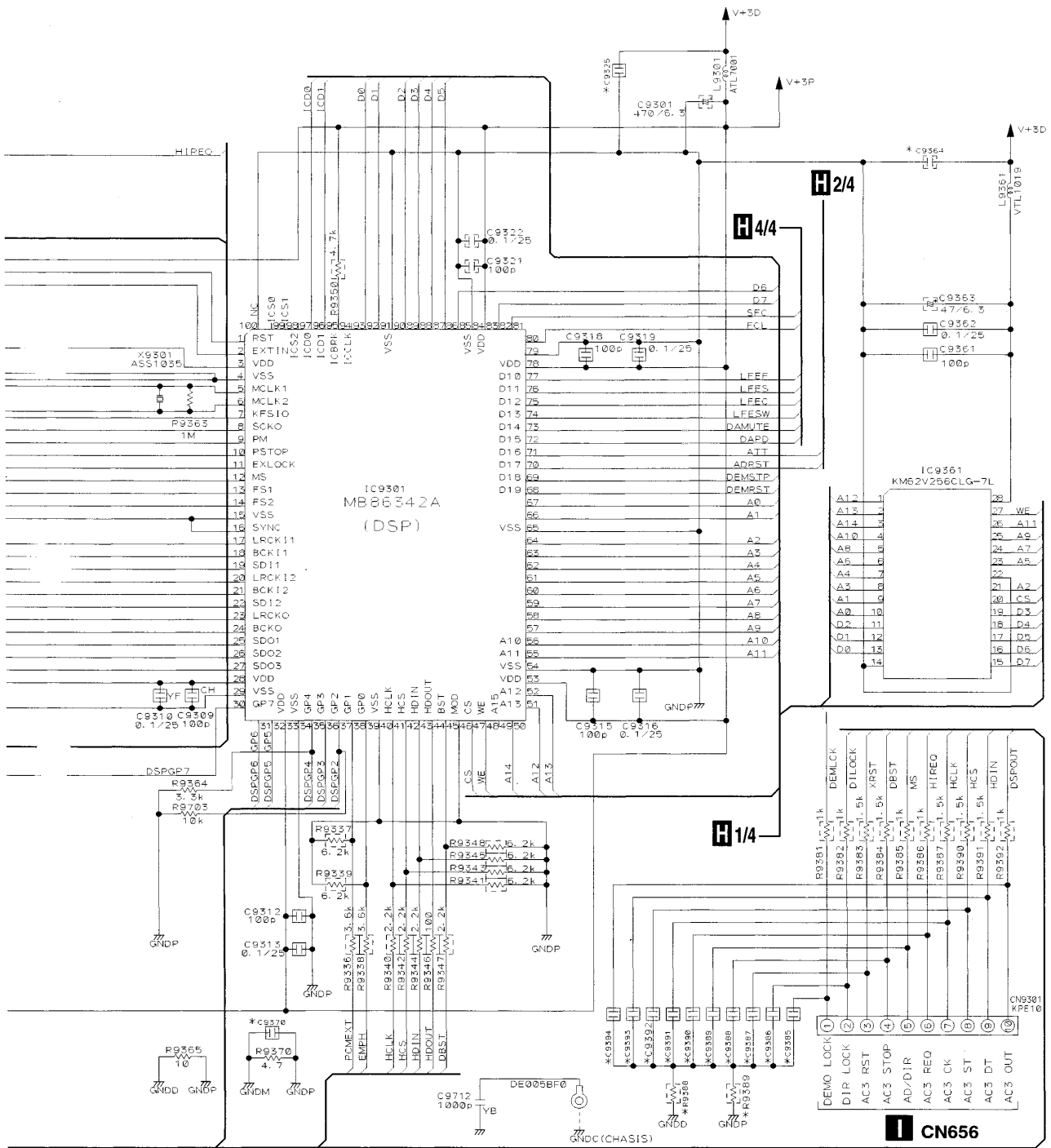
2. CAPACITORS
 Unit: pF or μ F unless otherwise noted.
 Ratings: Capacity (μ F)/Voltage (V) unless otherwise noted.
 Rated Voltage: 50V except for electrolytic capacitors.

CH..... CCSQCH
 YF..... CKSQYF
 YB..... CKSQYB
 NP..... CEANP
 *..... CEV

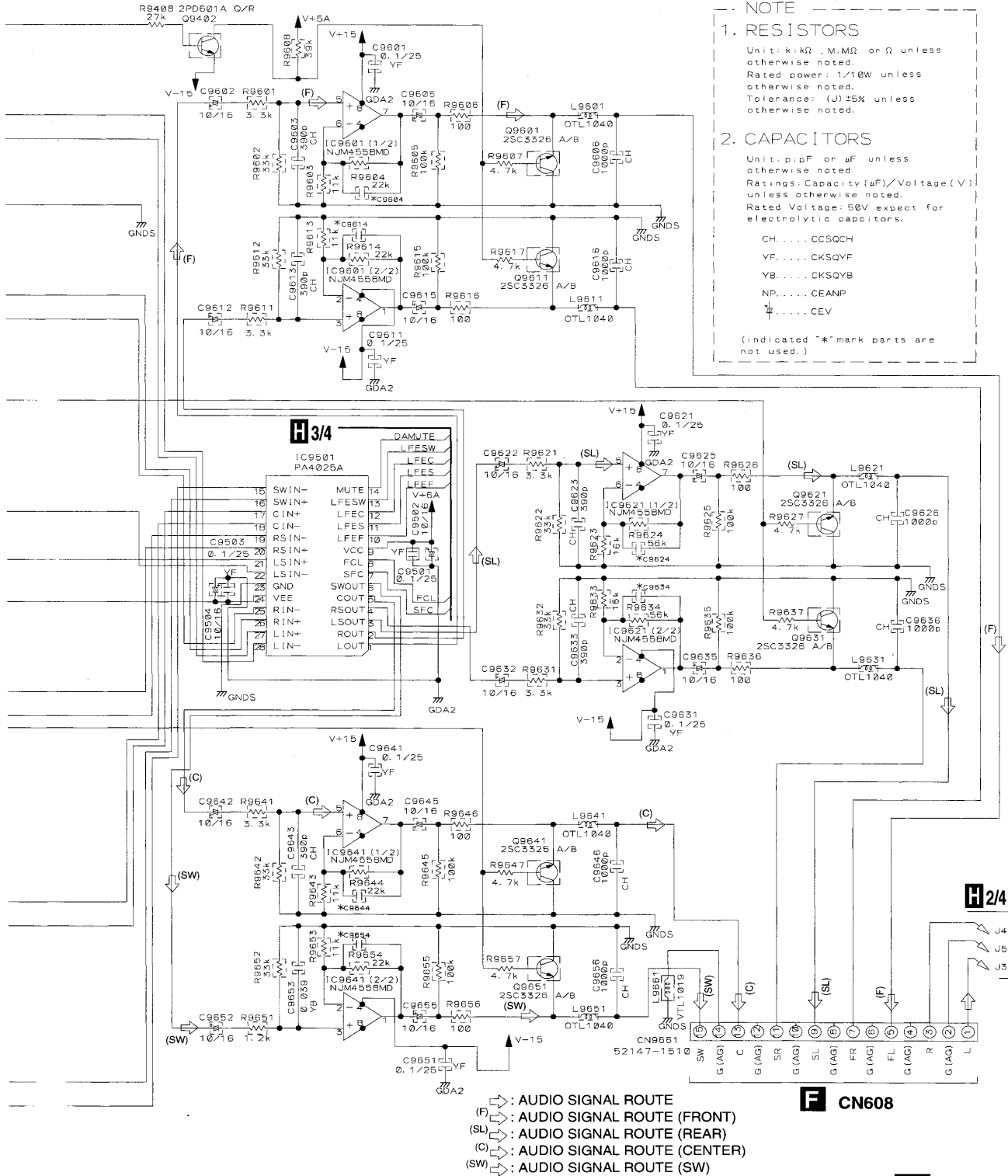
(Indicated "*" mark parts are not used.)



VSX-D906S, VSX-07TX, VSX-09TX



VSX-D906S, VSX-07TX, VSX-09TX



NOTE

1. **RESISTORS**
 Unit: k, M, Ω unless otherwise noted.
 Rated power: 1/10W unless otherwise noted.
 Tolerance: (J) 5% unless otherwise noted.

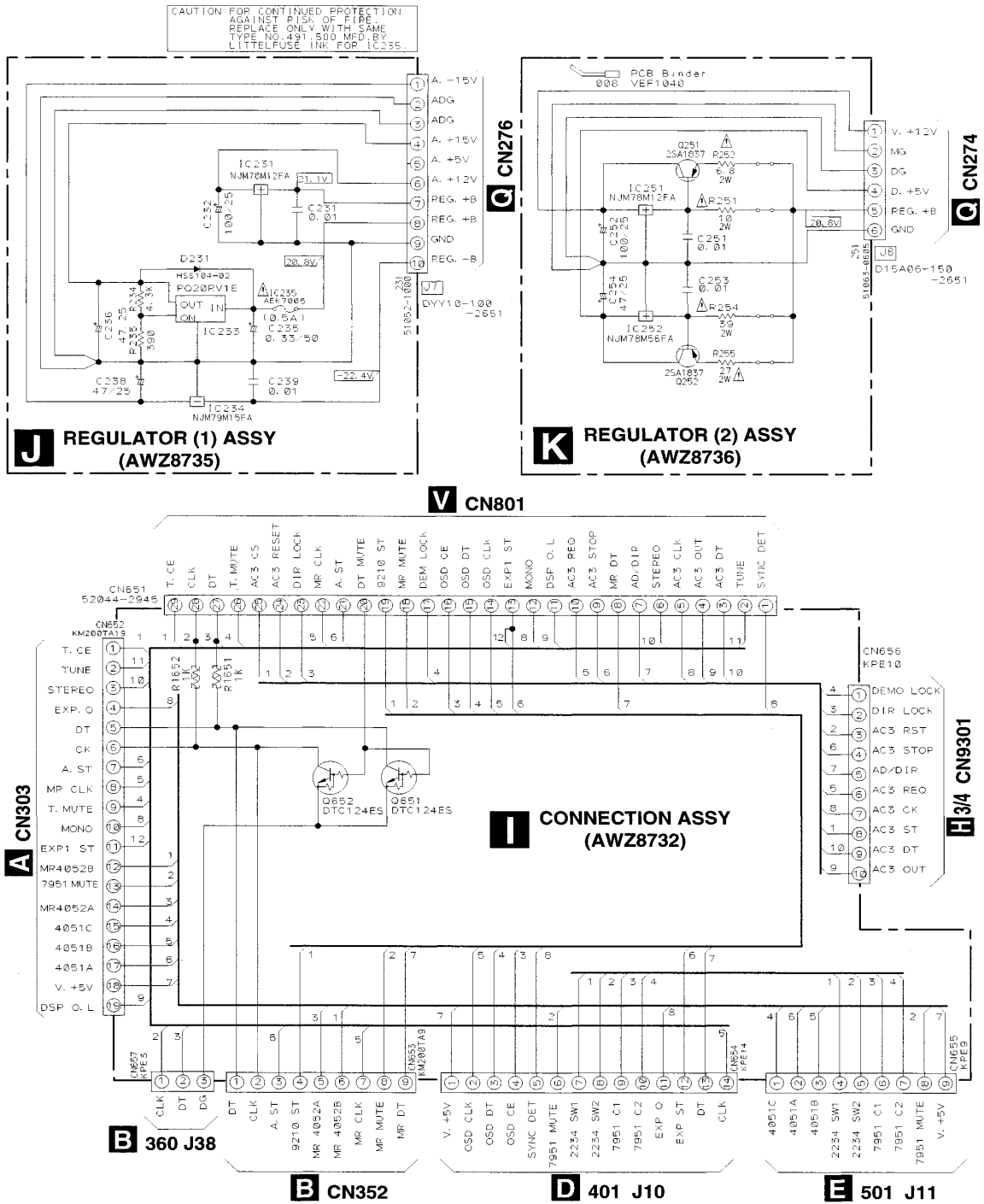
2. **CAPACITORS**
 Unit: p, μF unless otherwise noted.
 Ratings: Capacity (μF)/Voltage (V) unless otherwise noted.
 Rated Voltage: 50V except for electrolytic capacitors.

CH.....CCSQCH
 YF.....CKSQYF
 YB.....CKSQYB
 NP.....CEANP
 CE.....CEV

(indicated "*" mark parts are not used.)

VSX-D906S, VSX-07TX, VSX-09TX

3.9 CONNECTION ASSY, REGULATOR(1) ASSY, REGULATOR(2) ASSY, REGULATOR(3) ASSY AND V-AMP ASSY



VSX-D906S, VSX-07TX, VSX-09TX

NOTED

1. RESISTORS

Indicated in ohm 1/4W $\pm 5\%$ tolerance unless otherwise noted K:Kohm, M:Mohm

\square Chip Resistor

$\text{\textcircled{R}}$ PFA

2. CAPACITORS

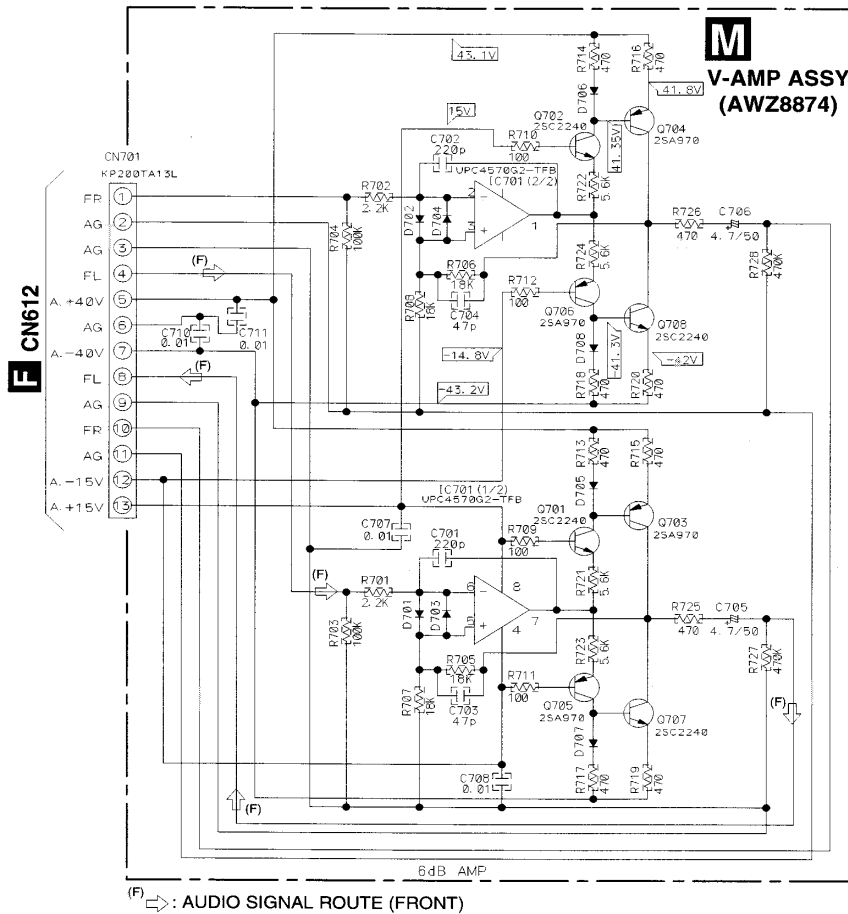
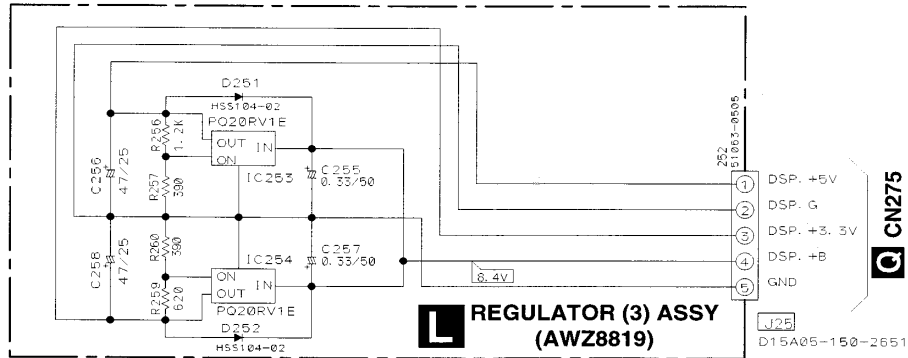
Indicated in capacity (μF)/voltage (V) unless otherwise noted p: pF

Indication without voltage is 50V except electrolytic capacitor

\square Chip Capacitor

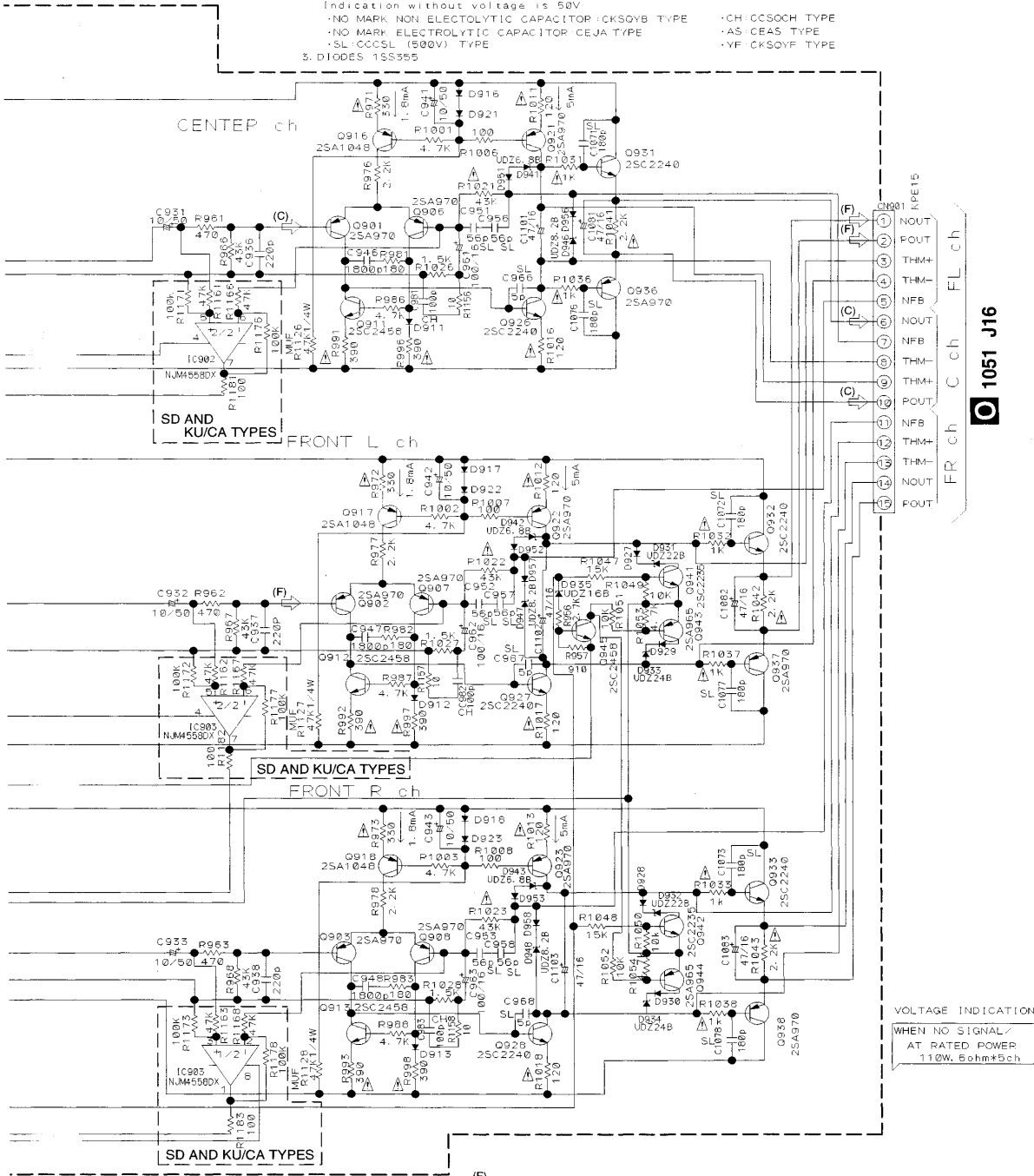
3. DIODE

Diode without indicated is 1SS355-TRB



VSX-D906S, VSX-07TX, VSX-09TX

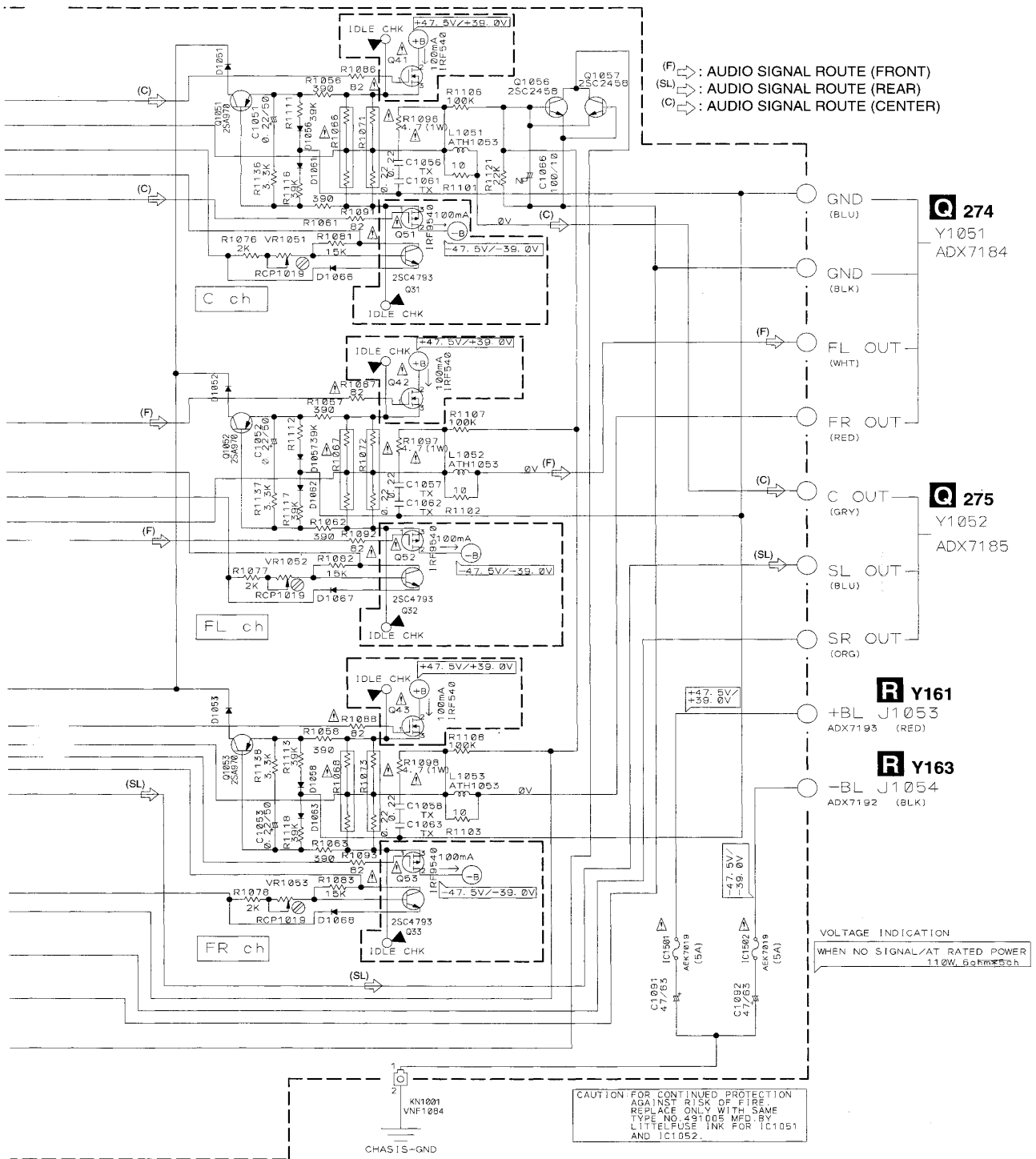
- NOTED
 1. RESISTORS
 Indicated in ohm 1/10W 5% tolerance unless otherwise noted K:kohm
 -LMF NON FLAMBLE TYPE
2. CAPACITORS
 Indicated in uF(capacity)/V(voltage) unless otherwise noted p:pF
 Indication without voltage is 50V
 -NO MARK NON ELECTROLYTIC CAPACITOR -CKSQYB TYPE -CH-CCSOCH TYPE
 -NO MARK ELECTROLYTIC CAPACITOR CEJA TYPE -AS-CEAS TYPE
 -SL-CCCSL (500V) TYPE -YF-CKSOYF TYPE
3. DIODES 1SS355



- (F) ⇄ : AUDIO SIGNAL ROUTE (FRONT)
 (SL) ⇄ : AUDIO SIGNAL ROUTE (REAR)
 (C) ⇄ : AUDIO SIGNAL ROUTE (CENTER)

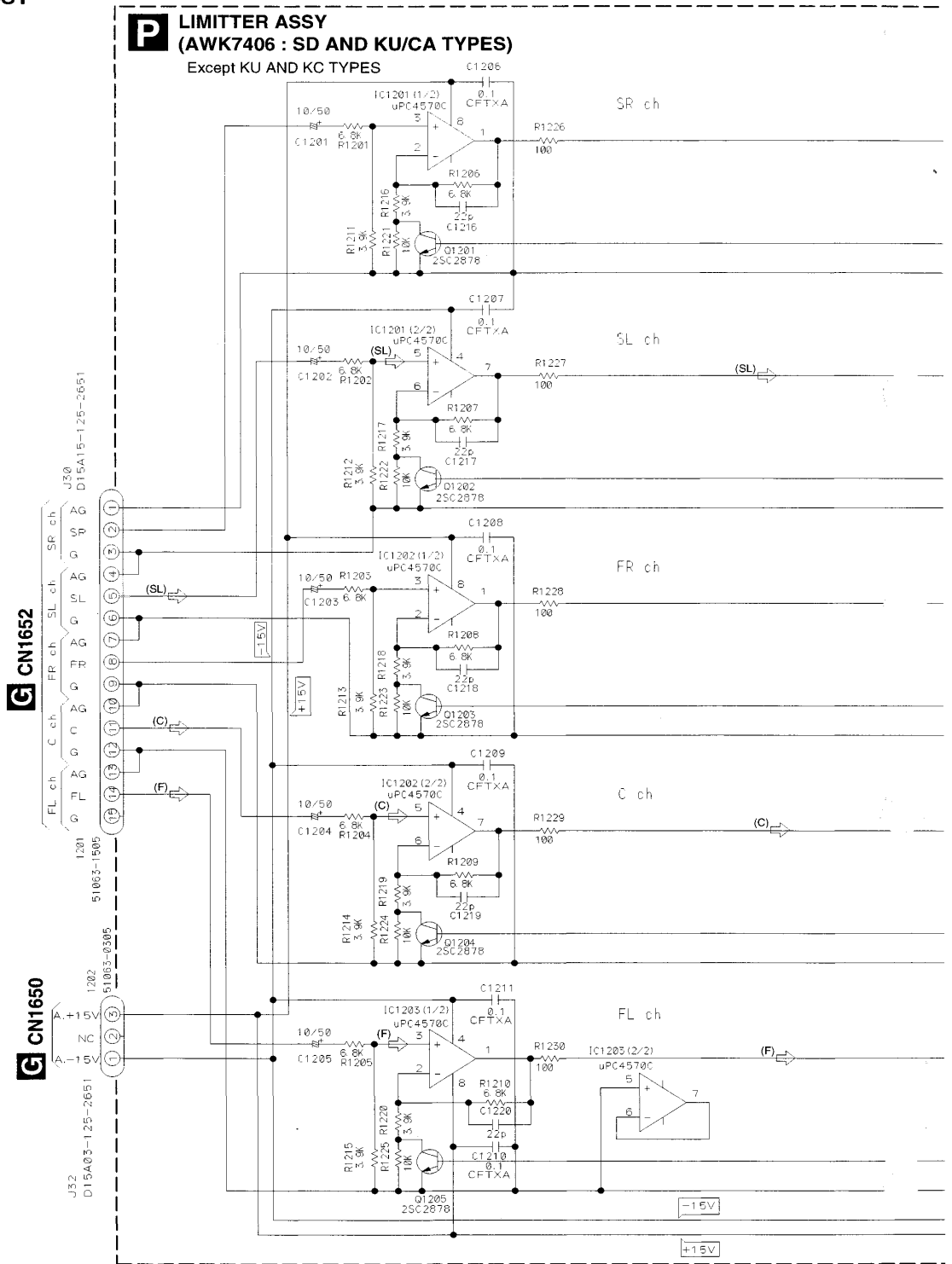


VSX-D906S, VSX-07TX, VSX-09TX

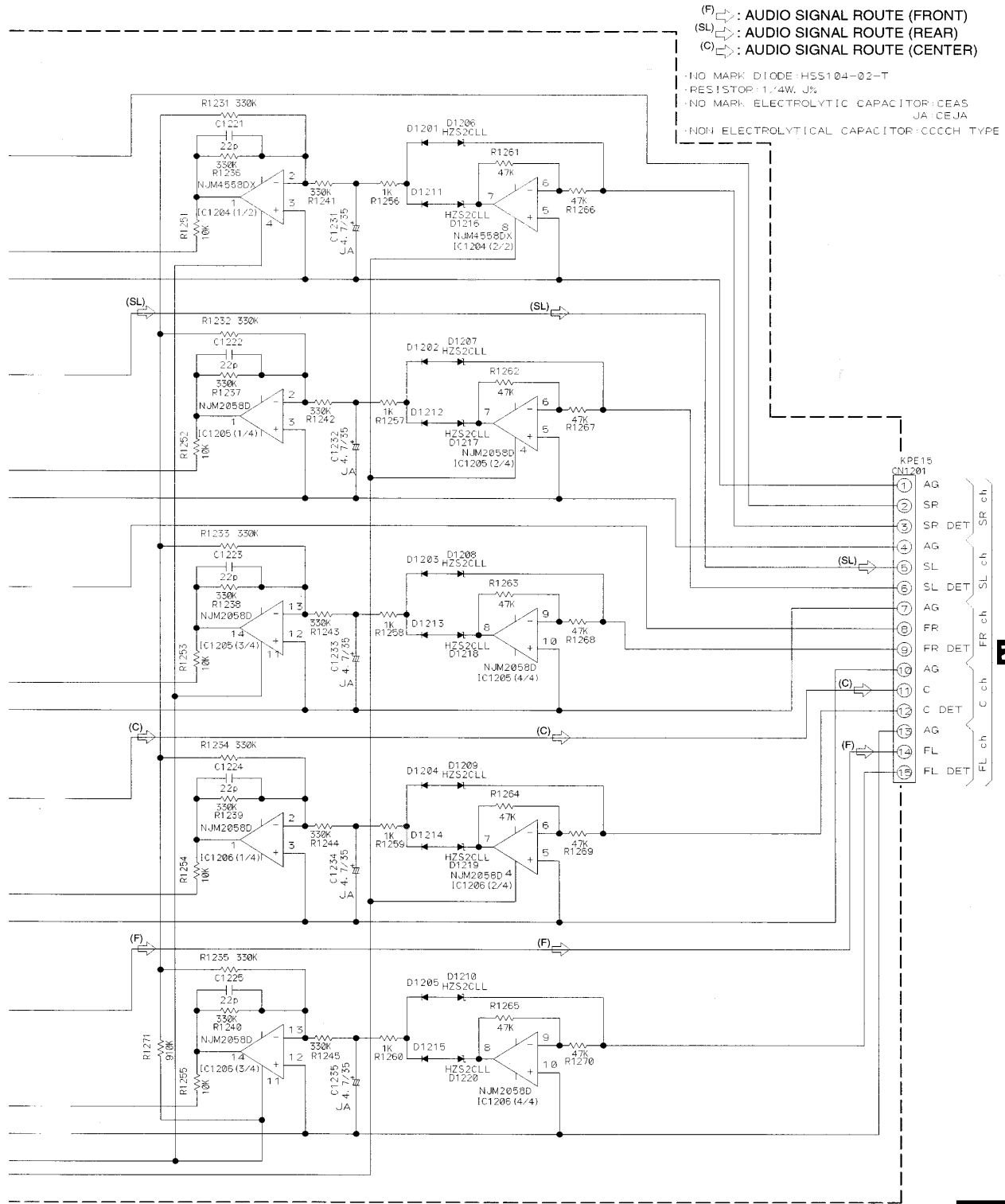


VSX-D906S, VSX-07TX, VSX-09TX

3.12 LIMITER ASSY

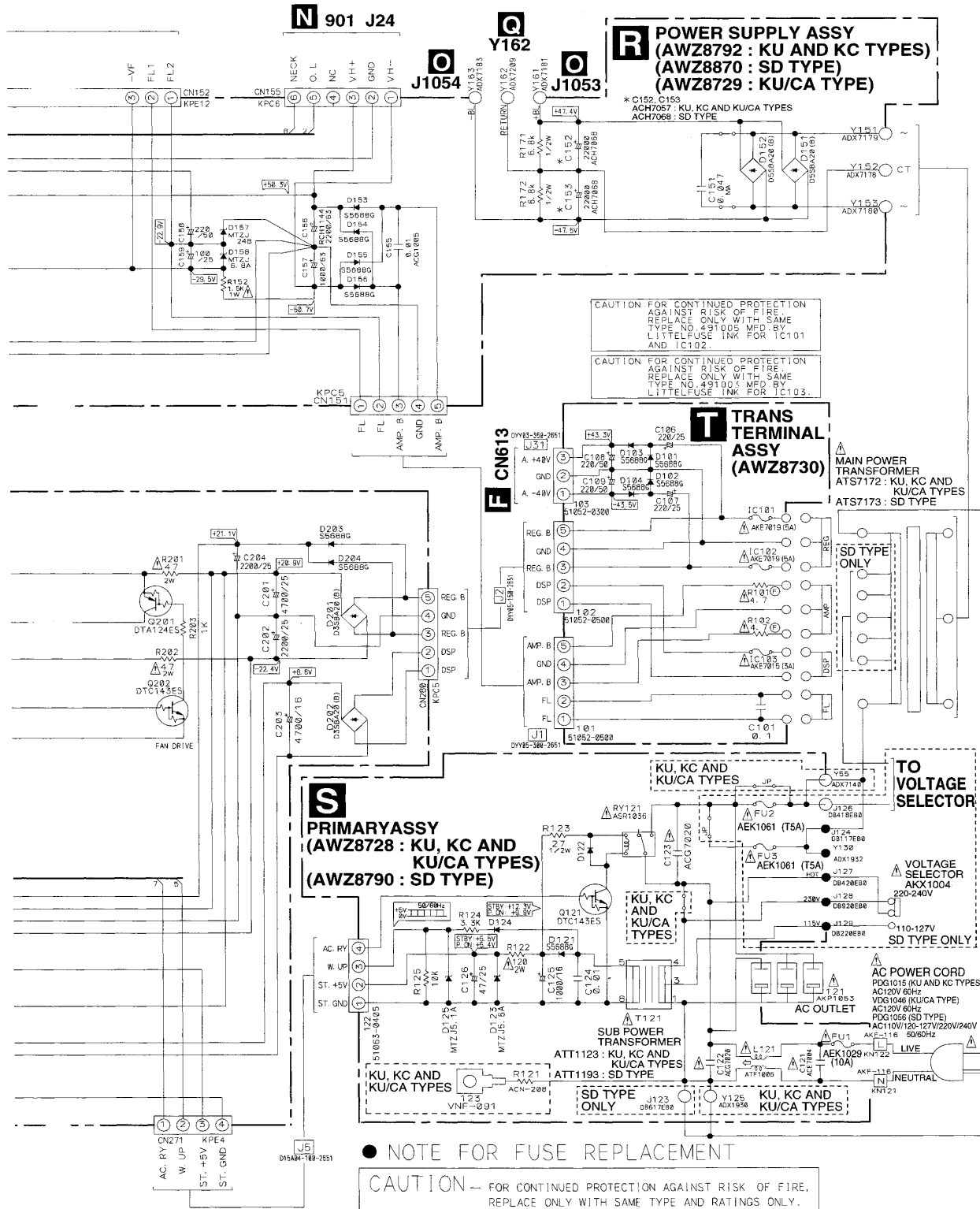


VSX-D906S, VSX-07TX, VSX-09TX

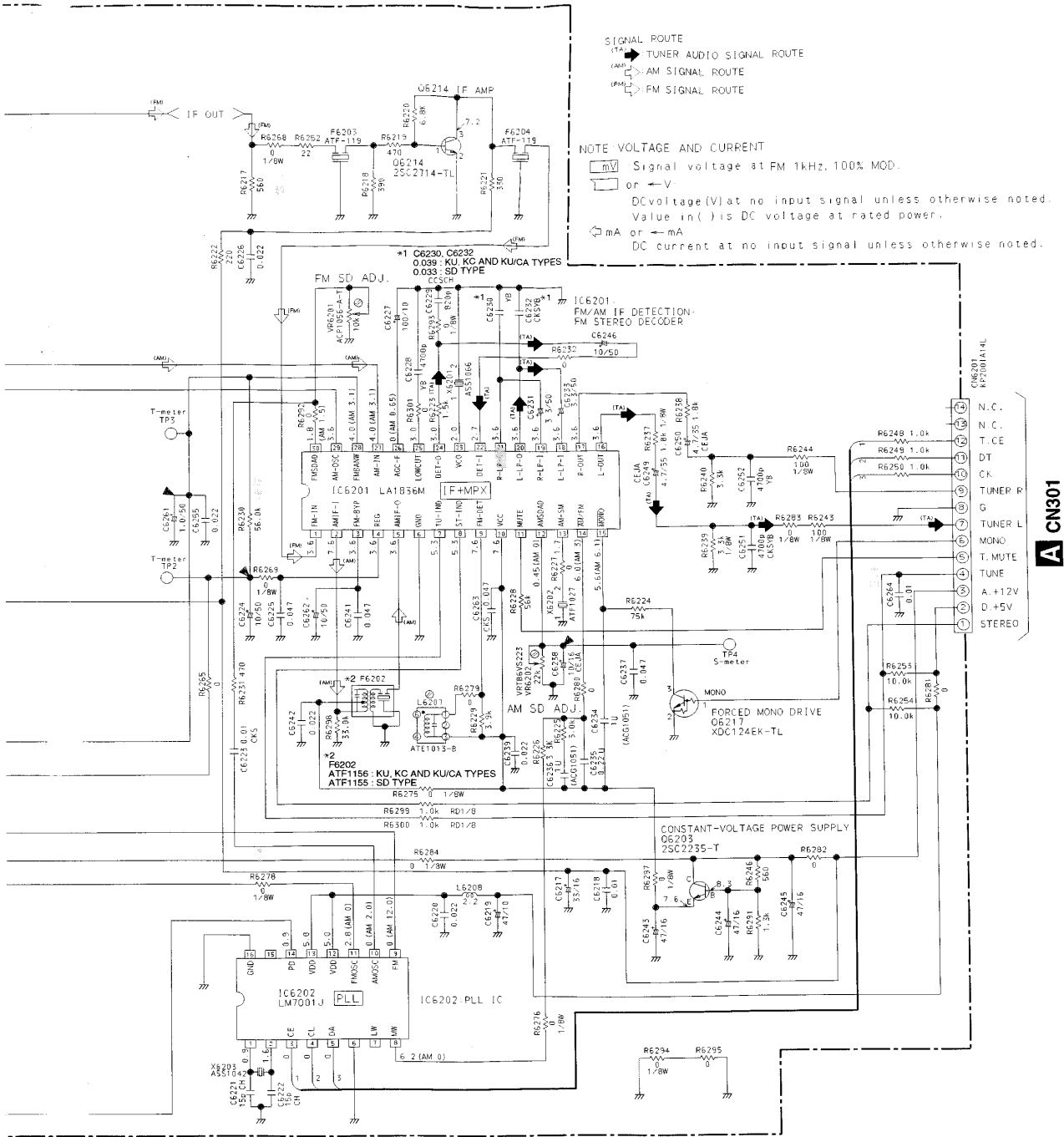


N 903 J14





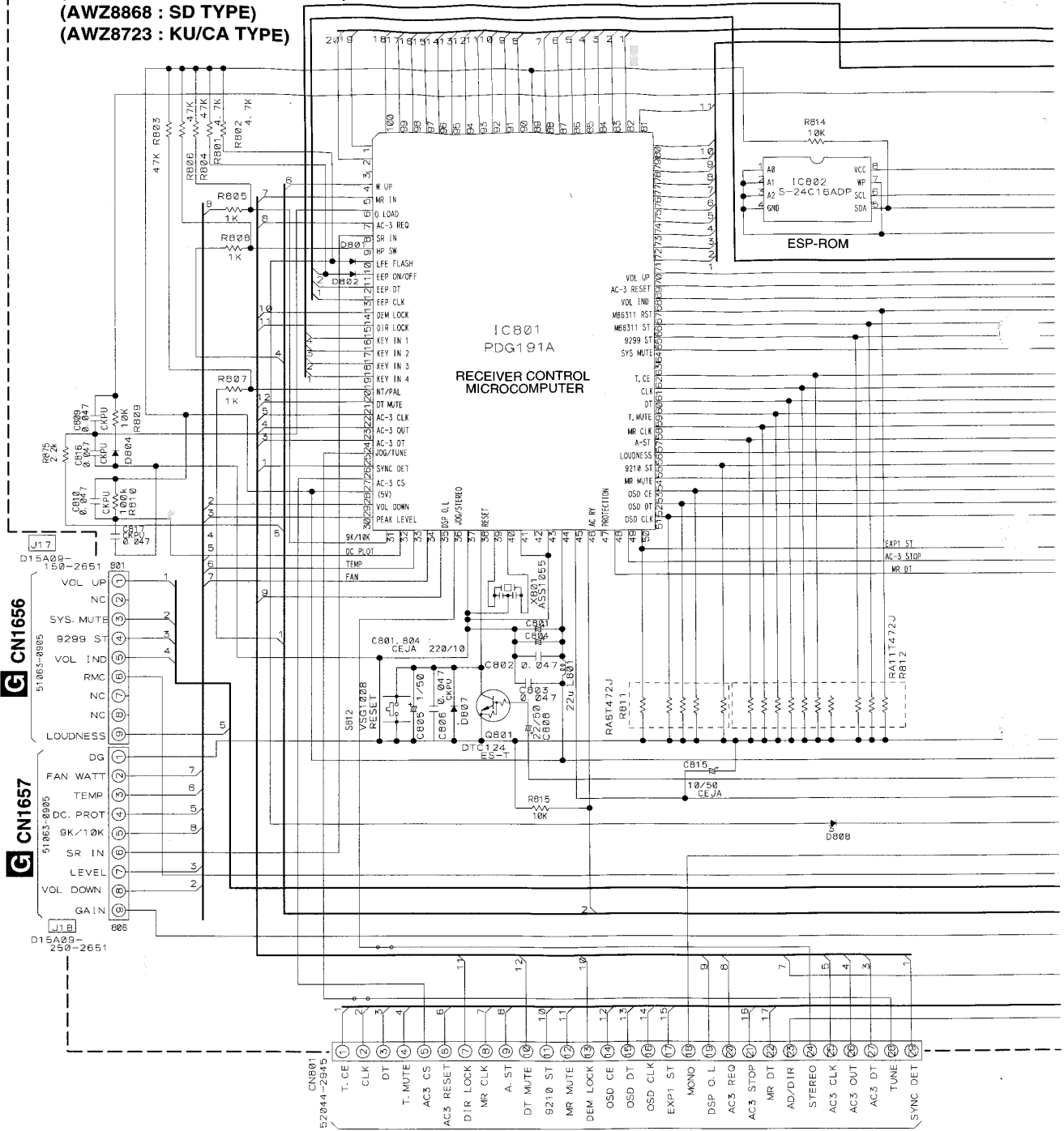
VSX-D906S, VSX-07TX, VSX-09TX



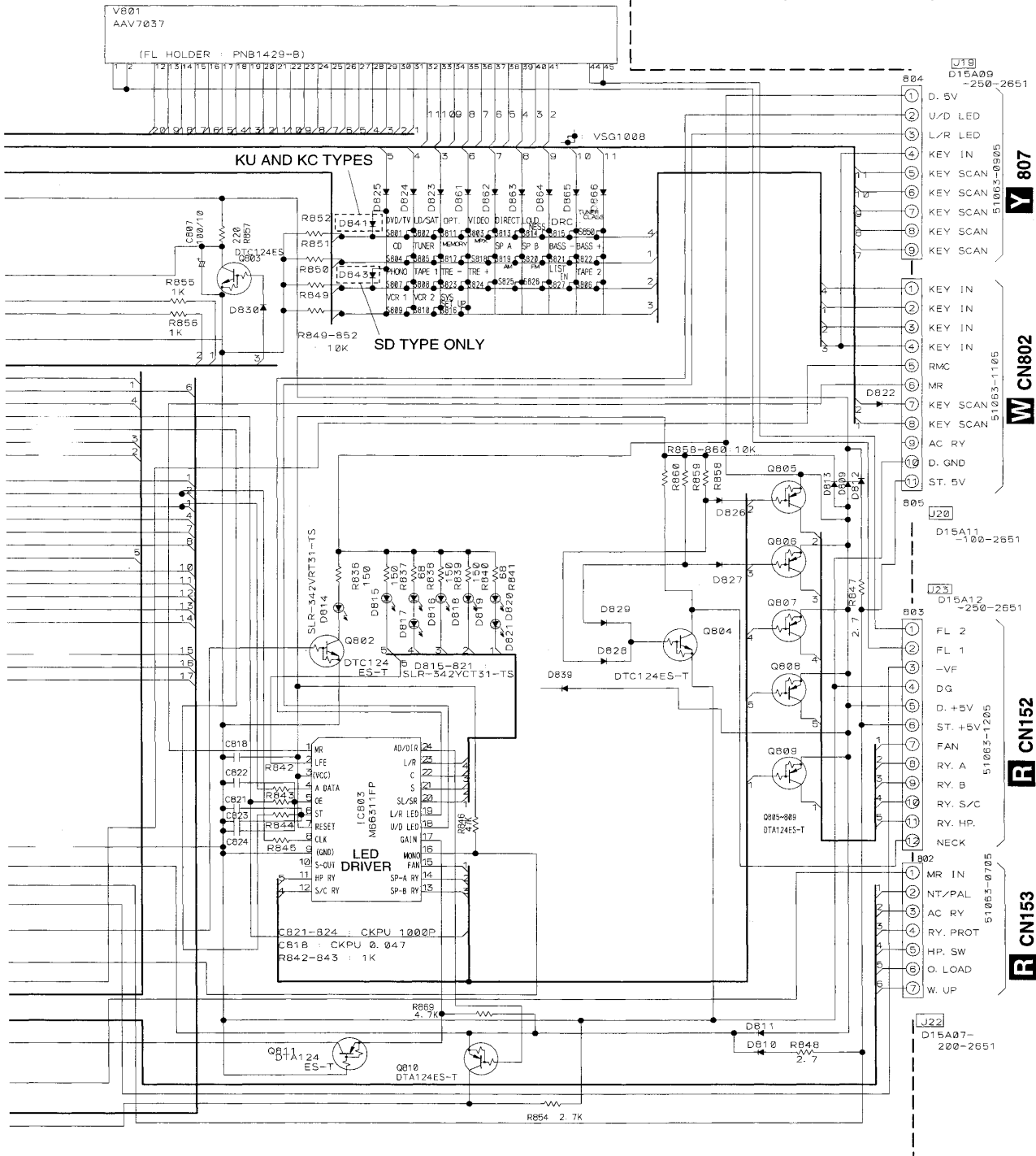
VSX-D906S, VSX-07TX, VSX-09TX

3.15 FL-UCOM ASSY

V FL-UCOM ASSY
 (AWZ8779 : KU AND KC TYPES)
 (AWZ8868 : SD TYPE)
 (AWZ8723 : KU/CA TYPE)



VSX-D906S, VSX-07TX, VSX-09TX



NOTED

1. RESISTORS
Indicated in ohm 1/4w ±5% tolerance unless otherwise noted K:Kohm, M: Mohm
2. CAPACITORS
Indicated in capacity (uF)/voltage (V) unless otherwise noted p: pF
Indication without voltage is 50V except electrolytic capacitor
3. DIODE
R55104-02-

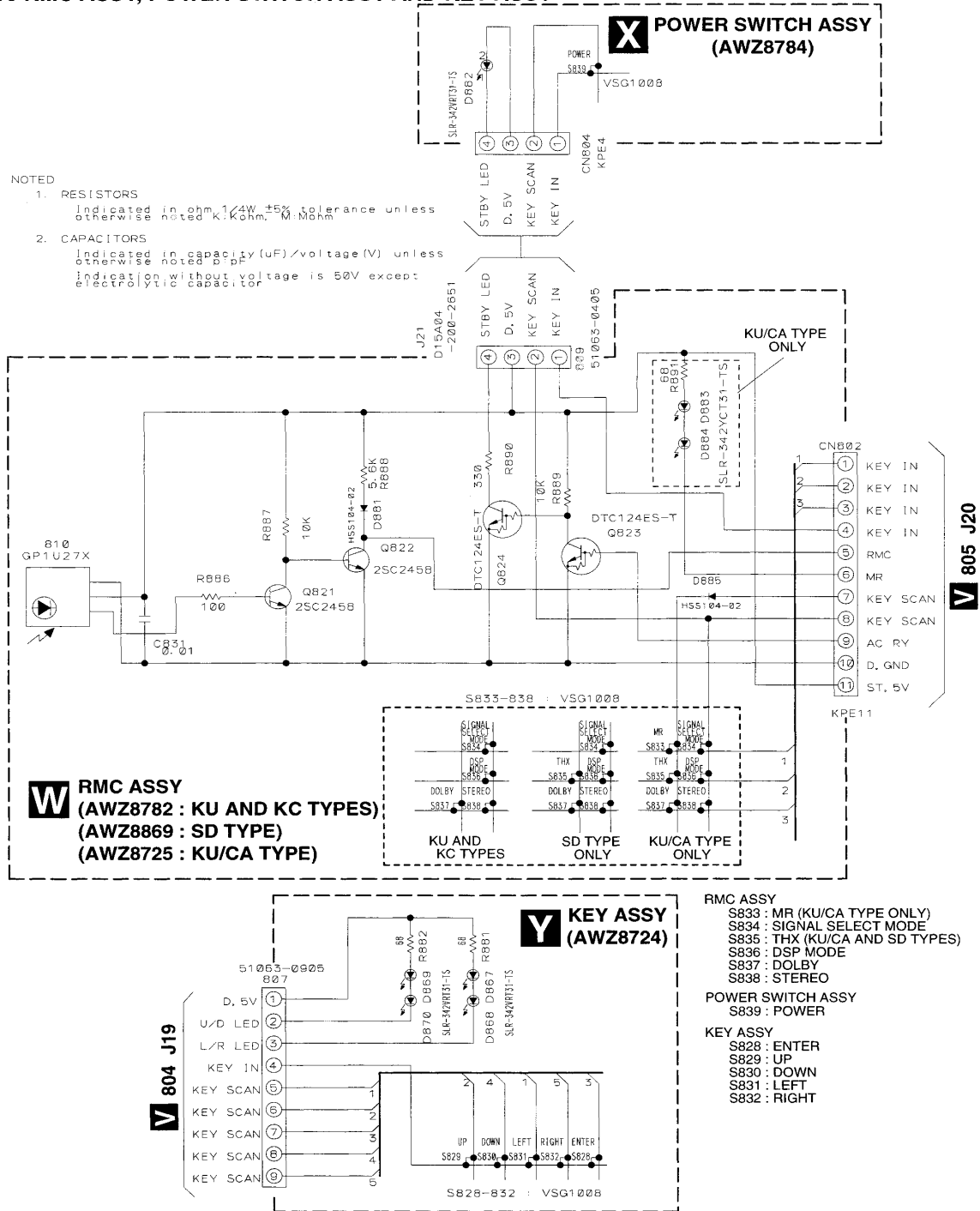
FL U-COM ASSY

- | | | | |
|---------------|-----------------|-------------------|--------------------|
| S801 : DVD/TV | S808 : TAPE1 | S815 : DRC | S822 : BASS + |
| S802 : LD/SAT | S809 : VCR1 | S816 : SYS SET UP | S823 : TRE - |
| S803 : VIDEO | S810 : VCR2 | S817 : MEMORY | S824 : TRE + |
| S804 : CD | S811 : OPT. | S818 : MPX | S825 : AM |
| S805 : TUNER | S812 : RESET | S819 : SP A | S826 : FM |
| S806 : TAPE2 | S813 : DIRECT | S820 : SP B | S827 : LIST IN |
| S807 : PHONO | S814 : LOUDNESS | S821 : BASS - | S850 : TUNER CLASS |



VSX-D906S, VSX-07TX, VSX-09TX

3.16 RMC ASSY, POWER SWITCH ASSY AND KEY ASSY



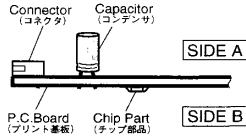
4. PCB CONNECTION DIAGRAM

NOTE FOR PCB DIAGRAMS

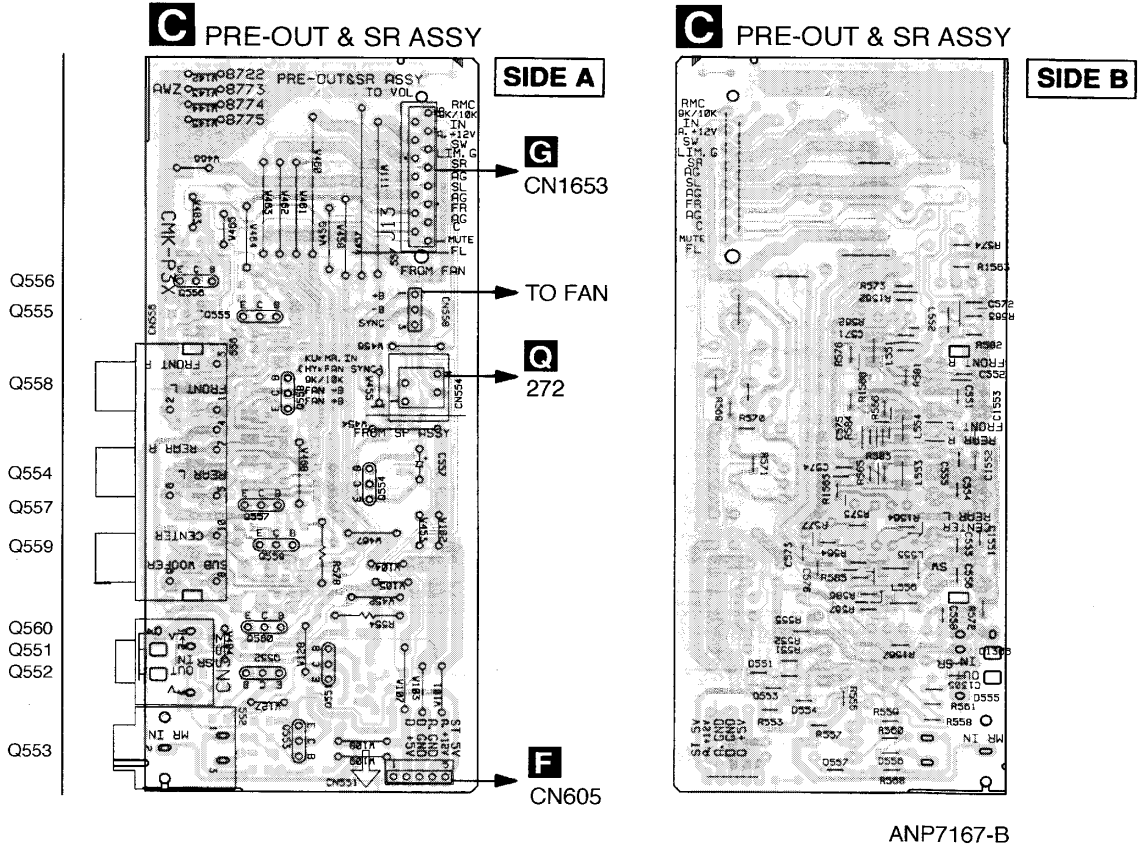
- Part numbers in PCB diagrams match those in the schematic diagrams.
- A comparison between the main parts of PCB and schematic diagrams is shown below.
- The parts mounted on this PCB include all necessary parts for several destinations. For further information for respective destinations, be sure to check with the schematic diagram.

Symbol in PCB Diagrams	Symbol in Schematic Diagrams	Part Name
		Transistor
		Transistor with resistor
		Field effect transistor
		Resistor array
		3-terminal regulator

4. Viewpoint of PCB diagrams



4.1 PRE-OUT & SR ASSY

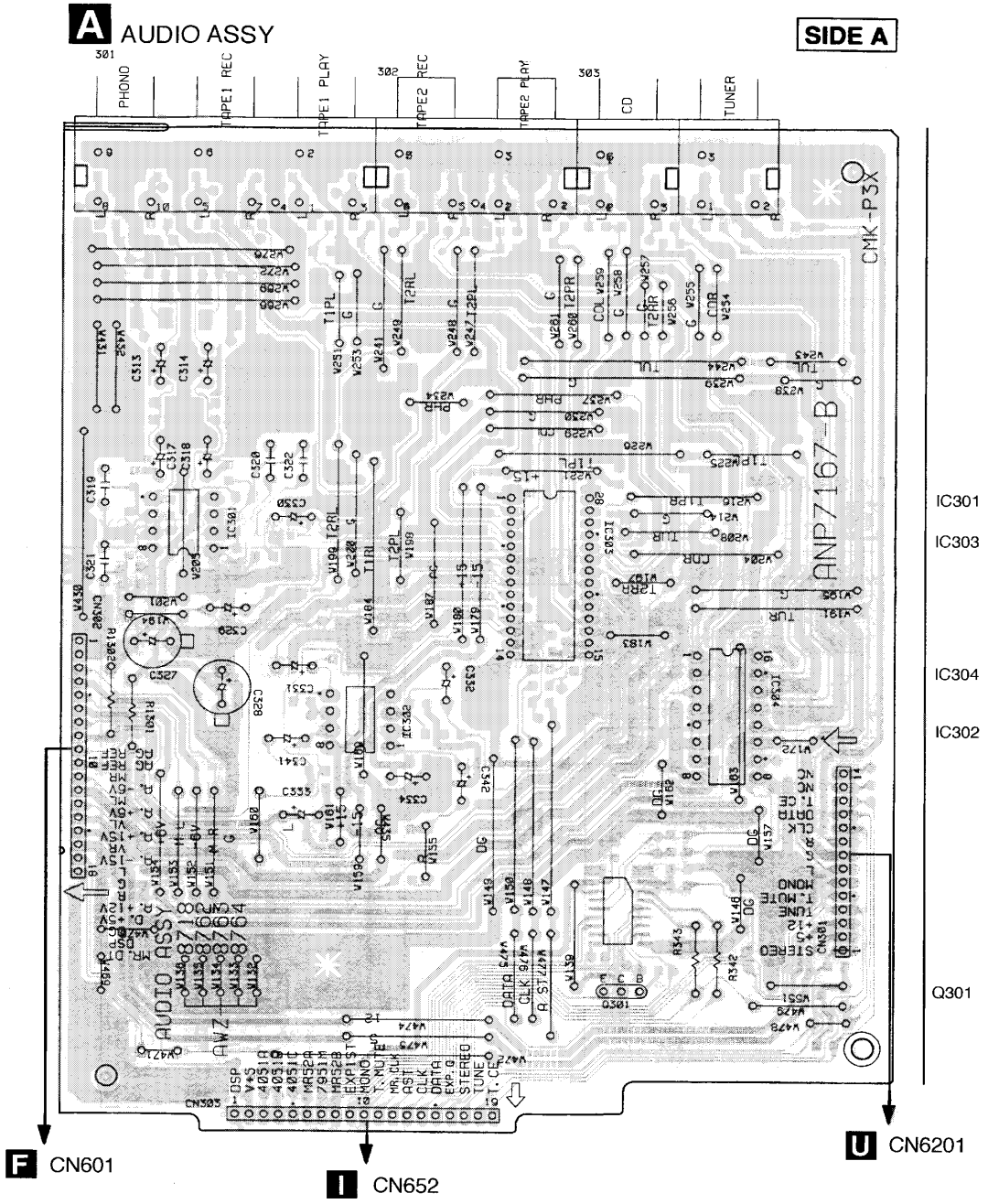


ANP7167-B



VSX-D906S, VSX-07TX, VSX-09TX

4.2 AUDIO ASSY



VSX-D906S, VSX-07TX, VSX-09TX

5. PCB PARTS LIST

- NOTES: • Parts marked by "NSP" are generally unavailable because they are not in our Master Spare Parts List.
 • The Δ mark found on some component parts indicates the importance of the safety factor of the part. Therefore, when replacing, be sure to use parts of identical designation.
 • When ordering resistors, first convert resistance values into code form as shown in the following examples.
- Ex.1 When there are 2 effective digits (any digit apart from 0), such as 560 ohm and 47k ohm (tolerance is shown by J = 5%, and K = 10%).
- | | | | | | | |
|--------------|---------------|-----------------------------|---------------|-----|-------|----------------------------|
| 560 Ω | \rightarrow | 56 \times 10 ¹ | \rightarrow | 561 | | RD1/4PU $\overline{561}$ J |
| 47k Ω | \rightarrow | 47 \times 10 ³ | \rightarrow | 473 | | RD1/4PU $\overline{473}$ J |
| 0.5 Ω | \rightarrow | R50 | | | | RN2H $\overline{R50}$ K |
| 1 Ω | \rightarrow | 1R0 | | | | RS1P $\overline{1R0}$ K |
- Ex.2 When there are 3 effective digits (such as in high precision metal film resistors).
- | | | | | | | |
|----------------|---------------|------------------------------|---------------|------|-------|-----------------------------|
| 5.62k Ω | \rightarrow | 562 \times 10 ¹ | \rightarrow | 5621 | | RN1/4PC $\overline{5621}$ F |
|----------------|---------------|------------------------------|---------------|------|-------|-----------------------------|

■ LIST OF WHOLE PCB ASSEMBLIES

Mark	Symbol & Description	Part No.					Remarks
		VSX-D906S /KU	VSX-D906S /KC	VSX-D906S /SD	VSX-07TX /KU/CA	VSX-09TX /KU/CA	
NSP	SMALL SIG. ASSY	AWK7381	AWK7381	AWK7381	AWK7365	AWK7386	
	└ AUDIO ASSY	AWZ8763	AWZ8763	AWZ8763	AWZ8718	AWZ8762	
NSP	└ AUDIO/VIDEO ASSY	AWZ8766	AWZ8766	AWZ8766	AWZ8719	AWZ8765	
	└ VIDEO ASSY	AWZ8769	AWZ8769	AWZ8769	AWZ8720	AWZ8768	
NSP	└ PRE-OUT & SR ASSY	AWZ8774	AWZ8774	AWZ8774	AWZ8722	AWZ8773	
	└ S-VIDEO ASSY	AWZ8808	AWZ8808	AWZ8808	AWZ8721	AWZ8771	
NSP	CONTROL ASSY	AWK7382	AWK7382	AWK7403	AWK7366	AWK7366	
	└ KEY ASSY	AWZ8724	AWZ8724	AWZ8724	AWZ8724	AWZ8724	
NSP	└ FL-UCOM ASSY	AWZ8779	AWZ8779	AWZ8868	AWZ8723	AWZ8723	
NSP	└ RMC ASSY	AWZ8782	AWZ8782	AWZ8869	AWZ8725	AWZ8725	
NSP	└ POWER SWITCH ASSY	AWZ8784	AWZ8784	AWZ8784	AWZ8784	AWZ8784	
NSP	POWER SUPPLY ASSY	AWK7383	AWK7383	AWK7393	AWK7367	AWK7367	
	└ SP TERMINAL ASSY	AWZ8727	AWZ8727	AWZ8788	AWZ8727	AWZ8727	
NSP	└ PRIMARY ASSY	AWZ8728	AWZ8728	AWZ8790	AWZ8728	AWZ8728	
	└ TRANS TERMINAL ASSY	AWZ8730	AWZ8730	AWZ8730	AWZ8730	AWZ8730	
	└ POWER SUPPLY ASSY	AWZ8792	AWZ8792	AWZ8870	AWZ8729	AWZ8729	
NSP	CONNECTION ASSY	AWK7384	AWK7384	AWK7368	AWK7368	AWK7368	
NSP	└ CONNECTION ASSY	AWZ8732	AWZ8732	AWZ8732	AWZ8732	AWZ8732	
	└ MASTER VR ASSY	AWZ8734	AWZ8734	AWZ8734	AWZ8734	AWZ8734	
	└ REGULATOR (1) ASSY	AWZ8735	AWZ8735	AWZ8735	AWZ8735	AWZ8735	
	└ REGULATOR (2) ASSY	AWZ8736	AWZ8736	AWZ8736	AWZ8736	AWZ8736	
NSP	└ E VR ASSY	AWZ8786	AWZ8786	AWZ8733	AWZ8733	AWZ8733	
NSP	└ REGULATOR (3) ASSY	AWZ8819	AWZ8819	AWZ8819	AWZ8819	AWZ8819	
	└ V-AMP ASSY	AWZ8874	AWZ8874	AWZ8874	AWZ8874	AWZ8874	
NSP	POWER AMP ASSY	AWK7385	AWK7385	AWK7364	AWK7364	AWK7364	
	└ CURR DRIVE ASSY	AWZ8717	AWZ8717	AWZ8717	AWZ8717	AWZ8717	
	└ VOLTAGE AMP ASSY	AWZ8776	AWZ8776	AWZ8716	AWZ8716	AWZ8716	
	DOLBY DIGITAL ASSY	AWX7038	AWX7038	AWX7038	AWX7038	AWX7038	
	FM/AM TUNER MODULE	AXQ7219	AXQ7219	AXQ1012	AXQ7219	AXQ7219	
	LIMITTER ASSY	Not used	Not used	AWK7406	AWK7406	AWK7406	

■ CONTRAST OF PCB ASSEMBLIES

AUDIO ASSY

AWZ8718, AWZ8762 and AWZ8763 have the same construction except for the following:

Mark	Symbol & Description	Part No.			Remarks
		AWZ8763	AWZ8718	AWZ8762	
	IC304 C338, C343 R338, R339 301 Pin Jack (6P) 302 Pin Jack (6P)	Not used Not used Not used AKB7012 AKB7013	TC4052BP CKSQYB103K50 RS1/10S102J AKB7012 Not used	TC4052BP CKSQYB103K50 RS1/10S102J AKB7073 AKB7074	
	302 Pin Jack (4P) 303 Pin Jack (2P)	Not used Not used	AKB7014 AKB7019	Not used Not used	

VIDEO ASSY

AWZ8720, AWZ8768 and AWZ8769 have the same construction except for the following:

Mark	Symbol & Description	Part No.			Remarks
		AWZ8769	AWZ8720	AWZ8768	
	IC401 C405 C406 C407, C409 – C411 C408	Not used Not used Not used Not used Not used	LA7952 CEAS471M10 CKSQYF473Z50 CEAS470M25 CKSQYB103K50	LA7952 CEAS471M10 CKSQYF473Z50 CEAS470M25 CKSQYB103K50	
	R405 R406 R407, R408 402 Pin Jack (2P) 403 3P RCA Pin Jack	Not used Not used Not used AKB7017 AKB7018	RS1/10S750J RS1/10S103J RS1/10S102J AKB7076 AKB7018	RS1/10S750J RS1/10S103J RS1/10S102J AKB7076 AKB7077	
	404 Pin Jack (3P) 405 Pin Jack (2P)	Not used AKB7016	AKB7018 Not used	AKB7077 Not used	

PRE-OUT & SR ASSY

AWZ8722, AWZ8773 and AWZ8774 have the same construction except for the following:

Mark	Symbol & Description	Part No.			Remarks
		AWZ8774	AWZ8722	AWZ8773	
	Q553 D553, D556, D557 R556, R568 R557 R559, R560	Not used Not used Not used Not used Not used	2SA1048 1SS355 RS1/10S102J RS1/10S103J RS1/10S224J	2SA1048 1SS355 RS1/10S102J RS1/10S103J RS1/10S224J	
	552 Jack CN556 Pin Jack (6P)	Not used BKB1012	AKN1020 BKB1012	AKN1020 AKB7093	

S-VIDEO ASSY

AWZ8721, AWZ8771 and AWZ8808 have the same construction except for the following:

Mark	Symbol & Description	Part No.			Remarks
		AWZ8808	AWZ8721	AWZ8771	
	C527, C532 C531 C550 R519 R520, R526	CKSQYB103K50 Not used Not used Not used Not used	Not used CKSQYB104K25 CEAS470M25 RS1/10S102J RS1/10S101J	Not used CKSQYB104K25 CEAS470M25 RS1/10S102J RS1/10S101J	
	CN503, CN504 Socket CN505 Socket	AKP7010 AKP7009	AKP7010 AKP7009	AKP7012 AKP7011	

VSX-D906S, VSX-07TX, VSX-09TX

FL-UCOM ASSY

AWZ8868, AWZ8723 and AWZ8779 have the same construction except for the following:

Mark	Symbol & Description	Part No.			Remarks
		AWZ8779	AWZ8868	AWZ8723	
D841 D843		HSS104-02 Not used	Not used HSS104-02	Not used Not used	

RMC ASSY

AWZ8869, AWZ8725 and AWZ8782 have the same construction except for the following:

Mark	Symbol & Description	Part No.			Remarks
		AWZ8782	AWZ8869	AWZ8725	
D883, D884 S833 S835 R891		Not used Not used Not used Not used	Not used Not used VSG1008 Not used	SLR-342YCT31 VSG1008 VSG1008 RD1/4PU680J	

SP TERMINAL ASSY

AWZ8788 and AWZ8727 have the same construction except for the following:

Mark	Symbol & Description	Part No.		Remarks
		AWZ8727	AWZ8788	
S271, S272 CN278 Speaker Terminal 8-P CN279 Speaker Terminal 6-P		Not used AKE7033 AKE7034	ASH1027 AKE7044 AKE7045	

PRIMARY ASSY

AWZ8790 and AWZ8728 have the same construction except for the following:

Mark	Symbol & Description	Part No.		Remarks
		AWZ8728	AWZ8790	
△ T121 R121 H121, H122 Holder H123 - H126 Holder J124		ATT1223 ACN-208 (2.2MΩ 1/2W) RKR1003 Not used Not used	ATT1193 Not used Not used RKR1003 DB117EB0	
NSP J123 J126 J127 J128 J129		Not used Not used Not used Not used Not used	DB617EB0 DB418EB0 DB420EB0 DB920EB0 DB220EB0	
NSP NSP 123 Ground Plate Y55 Y125		VNF-091 ADX7140 ADX1930	Not used Not used Not used	

POWER SUPPLY ASSY

AWZ8870, AWZ8729 and AWZ8792 have the same construction except for the following:

Mark	Symbol & Description	Part No.			Remarks
		AWZ8792	AWZ8870	AWZ8729	
C152, C153 C171 C172 R165, R166 CN156 Pin Jack (3P)		ACH7057 (22000µF/50V) Not used Not used Not used AKB7085	ACH7068 (22000µF/56V) Not used Not used Not used AKB7085	ACH7057 (22000µF/50V) CEAS470M25 CGCYX473M25 RD1/4PU750J AKX7007	

VSX-D906S, VSX-07TX, VSX-09TX

FM/AM TUNER MODULE

AXQ1012 and AXQ7219 have the same construction except for the following:

Mark	Symbol & Description	Part No.		Remarks
		AXQ7219	AXQ1012	
	F6202 C6230 C6232 BN6201 Terminal 4-P AM RF Tuning Block	ATF1156 CKSQYB393K50 CKSYB393K50 AKE7028 AXX1025	ATF1155 CKSQYB333K50 CKSYB333K50 AKA1016 AXX1041	

B AUDIO/VIDEO ASSY (AWZ8719 : FOR VSX-07TX)

AWZ8765 and AWZ8719 have the same construction except for the following:

Mark	Symbol & Description	AWZ8719	AWZ8765	Remarks
	352 Pin Jack (4P)	AKB7014	AKB7070	
	353 Pin Jack (6P)	AKB7013	AKB7074	

Mark No. Description Parts No.

SEMICONDUCTORS

IC354, IC355	NJM4558DX
IC352	TC4052BP
IC351	TC9162AN
IC353	TC9210P
Q351, Q352	2SC2878
Q353	DTC124ES

CAPACITORS

C363, C364, C387, C388	CCSQCH101J50
C365, C370	CCSQCH102J50
C371, C372, C375, C376	CEAS100M50
C379 - C382	CEAS100M50
C366 - C369, C373, C374	CKSQYB103K50
C377, C378, C385, C386	CKSQYB103K50
C1555	CKSQYB473K50

RESISTORS

R385	RD1/4PU103J
R381	RD1/4PU183J
Other Resistors	RS1/10S□□□J

OTHERS

J38	JUMPER WIRE	D15A03 - 100 - 2651
353	PIN JACK(6P)	AKB7013
352	PIN JACK(4P)	AKB7014
351	PIN JACK(4P)	AKB7075
360	CABLE HOLDER(3P)	51063 - 0305
CN351	PLUG 3-P	KM250MA3
CN353	17P SOCKET	KP200TA17L
CN352	9P SOCKET	KP200TA9L

Mark No. Description Parts No.

F E VR ASSY (AWZ8733 : FOR SD AND KU/CA TYPES)

SEMICONDUCTORS

IC611	UPC4570C
IC601, IC603 - IC606	NJM4558DX
IC615	NJM78L06A
IC616	NJM79L06A
IC607	TC9163AN
IC608 - IC610	TC9299P
IC602, IC612	UPC4570C
IC613, IC614	UPC4570G2
Q601, Q602	2SC2458
Q603, Q604	2SC2878
Q605	DTA124ES
D601	ISS355
D603 - D606	HSS104-02
D602	MTZJ5.1B

CAPACITORS

C667, C668	CEAS101M25
C1601	CEAS1R0M50
C1602, C1603	CEAS2R2M50
C697, C698	CEAS470M25
C607, C608, C616, C633, C634	CEAS4R7M50
C653 - C656, C659, C660	CEAS4R7M50
C683 - C694	CEAS4R7M50
C661, C664, C671, C678	CKSQYB102K50
C609, C610, C617, C618	CKSQYB103K50
C635, C636, C639, C640	CKSQYB103K50
C643, C644, C647, C648	CKSQYB103K50
C657, C658, C665, C666	CKSQYB103K50
C672, C673, C679, C680	CKSQYB103K50
C695, C696	CKSQYB103K50
C1605, C1606	CKSQYB152K50
C651, C652, C662, C663	CKSQYF473Z50
C669, C670, C676, C677	CKSQYF473Z50
C1607, C1608	CQMA104J50
C1609, C1610	CQMA332J50
C621 - C624	CQPA103G2A

VSX-D906S, VSX-07TX, VSX-09TX

Mark	No.	Description	Parts No.
	C601 - C604, C613, C614		CQPA122G2A
	C645, C646, C649, C650		CQPA152G2A
	C625, C626		CQPA182G2A
	C605, C606, C615		CQPA222G2A
	C627, C628		CQPA271G2A
	C637, C638, C641, C642		CQPA272G2A
	C629 - C632		CQPA273G2A

RESISTORS

R1613, R1614, R637, R638	RN1/4PC1332F
R633, R634	RN1/4PC1822F
R621, R622	RN1/4PC2551F
R645, R646	RN1/4PC3242F
R625, R626	RN1/4PC3322F
R629, R630	RN1/4PC3572F
R631, R632	RN1/4PC4021F
R643, R644	RN1/4PC4022F
R639, R640	RN1/4PC5111F
R641, R642	RN1/4PC5491F
R627, R628	RN1/4PC5762F
R697, R698	RN1/4PC7501F
R623, R624	RN1/4PC8250F
R635, R636	RN1/4PC9311F
R607, R608, R616	RS1/10S1002F
R605, R606, R615	RS1/10S1802F
R603, R604, R614	RS1/10S2201F
R609, R610, R617	RS1/10S4701F
R601, R602, R613	RS1/10S6801F
R695, R696	RS1LMF101J

Other Resistors RS1/10S□□□J

OTHERS

610	CABLE HOLDER(14P)	51063-1405
CN609	11PJUMPER CONNECTOR	52147-1110
CN608	15PJUMPER CONNECTOR	52147-1510
CN603	10P PLUG	KM200TA10
CN604	12P PLUG	KM200TA12
CN606, CN612	13P PLUG	KM200TA13
CN602	17P PLUG	KM200TA17
CN601	18P PLUG	KM200TA18
CN605	5P PLUG	KM200TA5
CN607	7P PLUG	KM200TA7
CN611	PLUG 5-P	KM250MA5
CN613	JUMPER CONNECTOR 3-P KPC3	

N VOLTAGE AMP ASSY (AWZ8716 : FOR SD AND KU/CA TYPES)

SEMICONDUCTORS

IC901 - IC903	NJM4558DX
Q916 - Q920	2SA1048
Q1062, Q943, Q944	2SA965
Q901 - Q910, Q921 - Q925	2SA970
Q936 - Q940	2SA970

Mark	No.	Description	Parts No.
	Q1061, Q941, Q942		2SC2235
	Q926 - Q935, Q947		2SC2240
	Q911 - Q915, Q945		2SC2458
	Q946		DTA124ES
	D911 - D925, D927 - D930		1SS355
	D951 - D960		1SS355
	D935		UDZ16B
	D931, D932, D938, D939		UDZ22B
	D933, D934, D936, D937		UDZ24B
	D941 - D945		UDZ6.8B
	D946 - D950		UDZ8.2B

CAPACITORS

C1071 - C1080	CCCSL181K2H
C951 - C960	CCCSL560K2H
C966 - C970	CCCSL5R0C2H
C981 - C985	CCSQCH101J50
C1089, C1090	CEAS101M50
C971	CEAS470M2A
C931 - C935, C941 - C945	CEJA100M50
C961 - C965	CEJA101M16
C1086, C1087	CEJA1R0M50
C1081 - C1085, C1101 - C1105	CEJA470M16
C946 - C950	CKSQYB182K50
C936 - C940	CKSQYB221K50
C976 - C980	CKSQYB222K50
C1088	CKSQYF223Z50

RESISTORS

R1201, R1202	RD1/4LMF472J
R1126 - R1130	RD1/4MUF473J
R1153, R1154	RD1/4MUF4R7J

Other Resistors RS1/10S□□□J

OTHERS

901	CABLE HOLDER(6P)	51052-0600
902	CABLE HOLDER(5P)	51063-0505
903	CABLE HOLDER(15P)	51063-1505
CN904	PLUG 3-P	KM250MA3
CN903	14P SOCKET	KP200TA14L
CN901	CONNECTOR(15P)	KPE15
	PCB BINDER	VEF1040

P LIMITER ASSY (AWK7406 : FOR SD AND KU/CA TYPES)

SEMICONDUCTORS

IC1205, IC1206	NJM2058D
IC1204	NJM4558DX
IC1201-IC1203	UPC4570C
Q1201 - Q1205	2SC2878
D1201 - D1205, D1211 - D1215	HSS104-02
D1206 - D1210, D1216 - D1220	HZS2CLL

CAPACITORS

C1216 - C1225	CCCCH220J50
C1201 - C1205	CEAS100M50
C1231 - C1235	CEJA4R7M35
C1206 - C1211	CFTXA104J50

VSX-D906S, VSX-07TX, VSX-09TX

Mark No. Description Parts No.

RESISTORS

All Resistors RD1/4PU□□□J

OTHERS

I202 CABLE HOLDER(3P) 51063-0305
I201 CABLE HOLDER(15P) 51063-1505
CN1201 CONNECTOR(15P) KPE15

■ PARTS LIST FOR VSX-D906S/KU

A AUDIO ASSY

SEMICONDUCTORS

IC305 BU4094BCF
IC301 M5220P
IC302 NJM4558DX
IC303 TC9164AN
Q301 2SC2458

CAPACITORS

C335, C336, C1312 CCSQCH101J50
C1301, C1344, C337, C344 CCSQCH102J50
C313, C314 CEAS100M50
C333, C334 CEAS101M25
C329 - C332 CEAS2R2M50

C327, C328 CEAS331M25
C317, C318, C341, C342 CEAS470M25
C1311 CKSQYB102K50
C345, C346 CKSQYB103K50
C321, C322 CQMA242J50

C319, C320 CQMA822J50

RESISTORS

R342, R343 RD1/4PU102J
R1301, R1302 RD1/4PU331J

Other Resistors RS1/10S□□□J

OTHERS

301 PIN JACK(6P) AKB7012
302 PIN JACK(6P) AKB7013
CN301 14P PLUG KM2001B14
CN302 18P SOCKET KP200TA18L
CN303 19P SOCKET KP200TA19L

B AUDIO/VIDEO ASSY

SEMICONDUCTORS

IC351 TC9162AN

CAPACITORS

C363, C364 CCSQCH101J50
C365 CCSQCH102J50
C366, C367 CKSQYB103K50
C1555 CKSQYB473K50

RESISTORS

All Resistors RS1/10S□□□J

OTHERS

360 CABLE HOLDER(3P) 51063 - 0305
352 PIN JACK(6P) AKB7013
CN354 PIN JACK(6P) AKB7009
J38 JUMPER WIRE D15A03 - 100 - 2651
CN351 PLUG 3-P KM250MA3

Mark No. Description Parts No.

CN353 17P SOCKET KP200TA17L
CN352 9P SOCKET KP200TA9L

D VIDEO ASSY

SEMICONDUCTORS

IC406 BU4094BCF
IC408 LA7213
IC405 LA7951
IC403 MM1067XD
IC402 NJM2534L

IC404 PD6178A
IC409 UPC78L05J
Q403 - Q409, Q411, Q412 2SA1048
Q401, Q402, Q413, Q414 2SC2458
Q410, Q415, Q475 DTC124ES

D406 1SS252
D401 - D405 1SS355

COILS AND FILTERS

L401 LCTA220J3225

CAPACITORS

C431, C468 CCSQCH101J50
C430, C457 CCSQCH102J50
C436, C437 CCSQCH150J50
C423 CCSQCH221J50
C433, C473 CCSQCH330J50

C428 CCSQCH471J50
C425, C426 CCSQCH561J50
C444, C448, C456, C461 CCSQCH5R0C50
C471, C472 CCSQCH5R0C50
C418, C450, C454, C465, C466 CEAS100M50

C421, C424, C427 CEAS1R0M50
C439 CEAS3R3M50
C401 - C404, C412, C415, C417 CEAS470M25
C435, C440 - C442, C446, C458 CEAS470M25
C462, C467, C469 CEAS470M25

C445, C449, C464 CEAS471M10
C429 CEASR47M50
C413, C414, C416, C419, C434 CKSQYB103K50
C438, C443, C447, C459, C463 CKSQYB103K50
C451 - C453, C455, C470 CKSQYB104K25

C422 CKSQYB332K50
C420, C1554 CKSQYB473K50

RESISTORS

R459 RD1/2PM221J
R441, R446 RD1/2PM331J
R462 RD1/2PM680J
R469, R470 RD1/4PU101J
R475 RD1/4PU223J

R467 RD1/4PU331J
R468 RD1/4PU472J

Other Resistors RS1/10S□□□J

VSX-D906S, VSX-07TX, VSX-09TX

Mark No. Description Parts No.

OTHERS

401	CABLE HOLDER(14P)	51063-1405
402	PIN JACK(2P)	AKB7017
405	PIN JACK(2P)	AKB7016
403	3P RCA PINJACK	AKB7018
X402	CERAMIC RESONATOR (503kHz)	ASS1056

X401	CRYSTAL RESONATOR	ASS1112
CN402	10P SOCKET	KP200TA10L

C PRE-OUT & SR ASSY

SEMICONDUCTORS

Q552		2SA1048
Q551		2SC2458
Q555 - Q560		2SC2878
D551, D554, D555		1SS355

COILS AND FILTERS

L551 - L556	LCTA221J3225
-------------	--------------

CAPACITORS

C551 - C556	CCSQCH101J50
-------------	--------------

RESISTORS

R554	RD1/4PU102J
R578	RD1/4PU103J

Other Resistors	RS1/10S□□□J
-----------------	-------------

OTHERS

551	CABLE HOLDER(15P)	51063-1505
CN553	JACK	AKN1006
CN556	PIN JACK(6P)	BKB1012
CN558	PLUG 3-P	KM250MA3
CN551	5P SOCKET	KP200TA5L

CN554	CONNECTOR(4P)	KPE4
-------	---------------	------

E S-VIDEO ASSY

SEMICONDUCTORS

IC504, IC505	LA7951
IC501, IC502	NJM2534L
IC503	TC4051BP
Q501 - Q506, Q509	2SA1048
Q508, Q510, Q514, Q515	2SC2458

D501 - D504	1SS355
-------------	--------

CAPACITORS

C536, C538, C540, C542, C544	CCSQCH5R0C50
C546	CCSQCH5R0C50
C1501, C1503, C1505, C1507, C1509	CEAS470M25
C501, C505, C509, C513, C518	CEAS470M25
C520, C521, C528, C529	CEAS470M25

C533, C534, C549	CEAS470M25
C537, C539, C541	CEAS471M10
C1502, C1504, C1506, C1508, C1510	CKSQYB103K50
C504, C508, C512, C516, C517	CKSQYB103K50
C519, C522, C523, C525 - C527	CKSQYB103K50

C530, C532, C535, C548	CKSQYB103K50
C502, C506, C511, C515, C524	CKSQYB104K25
C543, C545, C547	CKSQYB104K25
C503, C507, C510, C514	CKSQYB473K50

Mark No. Description Parts No.

RESISTORS

R1504, R541	RD1/2PM221J
R1501, R532, R537, R546	RD1/2PM331J
R1516	RD1/4PU103J

Other Resistors	RS1/10S□□□J
-----------------	-------------

OTHERS

501	CABLE HOLDER(9P)	51063-0905
CN505	SOCKET	AKP7009
CN503, CN504	SOCKET	AKP7010
CN502	12P SOCKET	KP200TA12L
361	PCB BINDER	VEF1040

Y KEY ASSY

SEMICONDUCTORS

D867 - D870	SLR-342VRT31
-------------	--------------

SWITCHES AND RELAYS

S828 - S832	VSG1008
-------------	---------

RESISTORS

All Resistors	RD1/4PU□□□J
---------------	-------------

OTHERS

807	CABLE HOLDER(9P)	51063-0905
-----	------------------	------------

V FL-UCOM ASSY

SEMICONDUCTORS

IC803	M66311FP
IC801	PDG191A
IC802	S-24C16ADP
Q805 - Q811	DTA124ES
Q801 - Q804	DTC124ES

D801, D802, D804, D807 - D813	HSS104-02
D822 - D830, D839, D841	HSS104-02
D861 - D866	HSS104-02
D814	SLR-342VRT31
D815 - D821	SLR-342YCT31

COILS AND FILTERS

L801	LAU220J
------	---------

SWITCHES AND RELAYS

S801 - S827, S850	VSG1008
-------------------	---------

CAPACITORS

C807	CEAS101M10
C805	CEAS1R0M50
C808	CEAS220M50
C815	CEJA100M50
C801, C804	CEJA221M10

C802, C803	CKCYF473Z50
C821 - C824	CKPUYB102K50
C806, C809, C810, C816 - C818	CKPUYF473Z16

RESISTORS

R812	RA11T472J
R811	RA6T472J

Other Resistors	RD1/4PU□□□J
-----------------	-------------

VSX-D906S, VSX-07TX, VSX-09TX

Mark No. Description Parts No.

OTHERS

802	CABLE HOLDER(7P)	51063-0705
801, 804, 806	CABLE HOLDER(9P)	51063-0905
805	CABLE HOLDER(11P)	51063-1105
803	CABLE HOLDER(12P)	51063-1205
CN801		52044-2945

V801	FL TUBE	AAV7037
X801	CERAMIC RESONATOR (7.70MHz)	ASS1055

W RMC ASSY

SEMICONDUCTORS

Q821, Q822	2SC2458
Q823, Q824	DTC124ES
D881, D885	HSS104-02

SWITCHES AND RELAYS

S834, S836 - S838	VSG1008
-------------------	---------

CAPACITORS

C831	CKCYF103Z50
------	-------------

RESISTORS

All Resistors	RD1/4PU□□□J
---------------	-------------

OTHERS

809	CABLE HOLDER(4P)	51063-0405
810	REMOTE RECEIVER UNIT	GPIU27X
CN802	CONNECTOR(11P)	KPE11

X POWER SWITCH ASSY

SEMICONDUCTORS

D882	SLR-342VRT31
------	--------------

SWITCHES AND RELAYS

S839	VSG1008
------	---------

OTHERS

CN804	CONNECTOR(4P)	KPE4
-------	---------------	------

Q SP TERMINAL ASSY

SEMICONDUCTORS

Q271 - Q274	2SC2240
Q203	2SC4793
Q201	DTA124ES
Q202	DTC143ES
D201, D202	D3SBA20(B)

D271, D273, D275, D277	HSS104 - 02
D211	MTZJ24B
D203, D204	S5688G

SWITCHES AND RELAYS

RY271 - RY275	ASR1035
---------------	---------

CAPACITORS

C202, C204	CEAS222M25
C205	CEAS470M50
C203	CEAS472M16
C201	CEAS472M25
C281 - C287	CKCYB102K2H

Mark No. Description Parts No.

RESISTORS

R204	RD1/2PM561J
R291	RD1/4PM181J
R271, R274, R279	RS2LMF122J
R201, R202	RS2LMF470J

Other Resistors	RD1/4PU□□□J
-----------------	-------------

OTHERS

272	CABLE HOLDER(4P)	51063 - 0405
CN278	SPEAKER TERMINAL 8 - P	AKE7033
CN279	SPEAKER TERMINAL 6 - P	AKE7034
CN276	CONNECTOR(10P)	KPC10
CN280	CONNECTOR(5P)	KPC5

CN273	CONNECTOR(12P)	KPE12
CN277	CONNECTOR(14P)	KPE14
CN271	CONNECTOR(4P)	KPE4
CN275	CONNECTOR(5P)	KPE5
CN274	CONNECTOR(6P)	KPE6

CN272	CONNECTOR(7P)	KPE7
-------	---------------	------

S PRIMARY ASSY

SEMICONDUCTORS

Q121	DTC143ES
D122, D124	HSS104 - 02
D125	MTZJ5.1A
D123	MTZJ5.6A
D121	S5688G

COILS AND FILTERS

△ L121	(0.3mH/270V)	ATF1006
--------	--------------	---------

TRANSFORMERS

△ T121	ATT1223
--------	---------

SWITCHES AND RELAYS

△ RY121	ASR1036
---------	---------

CAPACITORS

△ C121	(0.1μF/250V)	ACE7004
△ C122, C123	(10000pF/250V)	ACG7020
C125	CEAS102M16	
C126	CEAS470M25	
C124	CKCYF103Z50	

RESISTORS

R121	(2.2MΩ, 1/2W)	ACN - 208
R123		RD1/2PM270J
R122		RS2LMF121J

Other Resistors	RD1/4PU□□□J
-----------------	-------------

OTHERS

122	CABLE HOLDER(4P)	51063 - 0405
121	AC OUTLET 3P	AKP1053
H121, H122	HOLDER	RKR1003
123	GROUND PLATE	VNF - 091

T TRANS TERMINAL ASSY

SEMICONDUCTORS

IC103	(3A/125V)	AEK7015
IC101, IC102	(5A/125V)	AEK7019
D101 - D104		S5688G

VSX-D906S, VSX-07TX, VSX-09TX

Mark No. Description Parts No.

CAPACITORS

C106, C107	CEAS221M25
C108, C109	CEAS221M50
C101	CGCYX104M25

RESISTORS

All Resistors	RD1/4PM□□□□
---------------	-------------

OTHERS

103	CABLE HOLDER(3P)	51052 - 0300
101, 102	CABLE HOLDER(5P)	51052 - 0500

R POWER SUPPLY ASSY

SEMICONDUCTORS

Q151	2SA970
Q152	2SC2240
Q153	DTC143ES
D151, D152	DSSBA20(B)
D157	MTZJ24B
D158	MTZJ6.8A
D153 - D156	S5688G

CAPACITORS

C155	(0.01μF/150V)	ACG1005
C152, C153	(22000μF/50V)	ACH7057
C159		CEAS101M25
C160		CEAS101M50
C157		CEAS102M63
C158		CEAS221M50
C161, C166 - C168		CGCYX104M25
C151		CQMA473K2E
C156	(2200pF/63V)	RCH1144

RESISTORS

R171, R172	RD1/2PM682J
R152	RS1LMF152J
R160, R161	RS2LMF331J
Other Resistors	RD1/4PU□□□□

OTHERS

152	CABLE HOLDER(7P)	51063 - 0705
153	CABLE HOLDER(12P)	51063 - 1205
CN156	PIN JACK(3P)	AKB7085
CN154	PLUG 8 - P	KM250MA8
CN151	CONNECTOR(5P)	KPC5
CN155	JUMPER CONNECTOR	KPC6
CN152	CONNECTOR(12P)	KPE12
CN153	CONNECTOR(7P)	KPE7
JA151	HEADPHONE JACK	RKB1014
154	PCB BINDER	VEF1040
151	GROUND PLATE	VNF - 091

Mark No. Description Parts No.

I CONNECTION ASSY

SEMICONDUCTORS

Q651, Q652	DTC124ES
------------	----------

RESISTORS

All Resistors	RS1/10S□□□□
---------------	-------------

OTHERS

CN651	29P CONNECTOR	52044 - 2945
CN652	19P PLUG	KM200TA19
CN653	9P PLUG	KM200TA9
CN656	CONNECTOR(10P)	KPE10
CN654	CONNECTOR(14P)	KPE14
CN657	CONNECTOR(3P)	KPE3
CN655	CONNECTOR(9P)	KPE9

G MASTER VR ASSY

SEMICONDUCTORS

IC1652 - IC1654	UPC4570C
IC1656	NJM4558DX
Q1657, Q1658	2SA1115
Q1659, Q1660	2SC2603
Q1651 - Q1656	2SC2878
Q1663, Q1664	2SK246
Q1661	DTA124ES
Q1662, Q1665	DTC124ES
D1659, D1660, D1663 - D1666	ISS355
D1652, D1654, D1661	HSS104 - 02

D1656	MTZJ5.1A
-------	----------

CAPACITORS

C1678	CCSQCH331J50
C1677, C1679	CCSQCH470J50
C1675, C1676	CCSQCH681J50
C1696	CEANP100M16
C1694	CEAS100M25
C1663 - C1668, C1681 - C1685	CEAS100M50
C1697	CEAS220M50
C1699, C1700	CEAS470M25
C1686	CEAS470M50
C1688	CEAS4R7M50
C1712	CGCYX104M25
C1690, C1692	CKSQYB103K50
C1669 - C1674	CKSQYB104K25
C1680	CKSQYB222K50
C1695	CKSQYF104Z50
C1715, C1716	CQMA471J50
C1661	CQMA472J50

RESISTORS

R1734	RD1/4PU331J
VR1651	ACX7031
VR1652	PCP1031
Other Resistors	RS1/10S□□□□

VSX-D906S, VSX-07TX, VSX-09TX

Mark No. Description Parts No.

OTHERS

CN1655	13P SOCKET	KP200TA13L
CN1654	7P SOCKET	KP200TA7L
CN1652,CN1653	CONNECTOR(15P)	KPE15
CN1650	CONNECTOR(3P)	KPE3
CN1651	CONNECTOR(5P)	KPE5

CN1656,CN1657	CONNECTOR(9P)	KPE9
---------------	---------------	------

J REGULATOR (1) ASSY

SEMICONDUCTORS

△ IC235	(500mA/125V)	AEK7005
IC231		NJM78M12FA
IC234		NJM79M15FA
IC233		PQ20RV1E
D231		HSS104 - 02

CAPACITORS

C232		CEAS101M25
C236, C238		CEAS470M25
C235		CEASR33M50
C231, C239		CKCYB103K50

RESISTORS

All Resistors	RD1/4PU□□□J
---------------	-------------

OTHERS

231	CABLE HOLDER(10P)	51052 - 1000
-----	-------------------	--------------

K REGULATOR (2) ASSY

SEMICONDUCTORS

IC251		NJM78M12FA
IC252		NJM78M56FA
Q251, Q252		2SA1837

CAPACITORS

C252		CEAS101M25
C254		CEAS470M25
C251, C253		CKCYB103K50

RESISTORS

R251		RS2LMF100J
R255		RS2LMF270J
R254		RS2LMF390J
R252		RS2LMF6R8J

OTHERS

251	CABLE HOLDER(6P)	51063 - 0605
8	PCB BINDER	VEF1040

F E VR ASSY

SEMICONDUCTORS

IC611		UPC4570C
IC615		NJM78L06A
IC616		NJM79L06A
IC607		TC9163AN
IC608 - IC610		TC9299P

IC602, IC612		UPC4570C
IC613, IC614		UPC4570G2
Q601, Q602		2SC2458
Q603, Q604		2SC2878
Q605		DTA124ES

Mark No. Description Parts No.

D601		1SS355
D603 - D606		HSS104 - 02
D602		MTZJ5.1B

CAPACITORS

C667, C668		CEAS101M25
C1601		CEAS1R0M50
C1602, C1603		CEAS2R2M50
C697, C698		CEAS470M25
C653 - C656, C659, C660		CEAS4R7M50

C683 - C694		CEAS4R7M50
C661, C664, C671, C678		CKSQYB102K50
C617, C618, C657, C658		CKSQYB103K50
C665, C666, C672, C673		CKSQYB103K50
C679, C680, C695, C696		CKSQYB103K50

C1605, C1606		CKSQYB152K50
C651, C652, C662, C663		CKSQYF473Z50
C669, C670, C676, C677		CKSQYF473Z50
C1607, C1608		CQMA104J50
C1609, C1610		CQMA332J50

RESISTORS

R695, R696		RS1LMF101J
------------	--	------------

Other Resistors	RS1/10S□□□J
-----------------	-------------

OTHERS

610	CABLE HOLDER(14P)	51063 - 1405
CN609	11PJUMPER CONNECTOR	52147 - 1110
CN608	15PJUMPER CONNECTOR	52147 - 1510
CN603	10P PLUG	KM200TA10
CN604	12P PLUG	KM200TA12

CN606, CN612	13P PLUG	KM200TA13
CN602	17P PLUG	KM200TA17
CN601	18P PLUG	KM200TA18
CN605	5P PLUG	KM200TA5
CN607	7P PLUG	KM200TA7

CN611	PLUG 5 - P	KM250MA5
CN613	JUMPER CONNECTOR 3 - P	KPC3

L REGULATOR (3) ASSY

SEMICONDUCTORS

IC253, IC254		PQ20RV1E
D251, D252		HSS104 - 02

CAPACITORS

C256, C258		CEAS470M25
C255, C257		CEASR33M50

RESISTORS

All Resistors	RD1/4PU□□□J
---------------	-------------

OTHERS

252	CABLE HOLDER(5P)	51063 - 0505
-----	------------------	--------------

M V-AMP ASSY

SEMICONDUCTORS

IC701		UPC4570G2
Q703 - Q706		2SA970
Q701, Q702, Q707, Q708		2SC2240
D701 - D708		1SS355

VSX-D906S, VSX-07TX, VSX-09TX

Mark No. Description Parts No.

CAPACITORS

C701, C702	CCSQCH221J50
C703, C704	CCSQCH470J50
C705, C706	CEAS4R7M50
C707, C708, C710, C711	CKSQYB103K50

RESISTORS

All Resistors	RS1/10S□□□J
---------------	-------------

OTHERS

CN701 13P SOCKET	KP200TA13L
------------------	------------

CURR DRIVE ASSY

SEMICONDUCTORS

IC1051, IC1052 (5A/125V)	AEK7019
Q1051 - Q1055	2SA970
Q1056, Q1057	2SC2458
D1051 - D1070	1SS355

COILS AND FILTERS

L1051 - L1055 (1.5μH)	ATH1053
-----------------------	---------

CAPACITORS

C1066	CEANP101M10
C1091, C1092	CEAS470M63
C1051 - C1055	CEASR22M50
C1056 - C1065	CFTXA224J50

RESISTORS

R1066 - R1075 (0.1Ω/2W)	ACN7027
R1096 - R1100RS1LMF4R7J	
VR1051 - VR1055 (2.2kΩ/0.1W)	RCP1019

Other Resistors	RS1/10S□□□J
-----------------	-------------

OTHERS

1051 CABLE HOLDER (15P)	51063-1505
CN1051 14P PLUG	KM200TA14
KN1001 EARTH METAL FITTING	VNF1084

VOLTAGE AMP ASSY

SEMICONDUCTORS

Q916 - Q920	2SA1048
Q1062, Q943, Q944	2SA965
Q901 - Q910, Q921 - Q925	2SA970
Q936 - Q940	2SA970
Q1061, Q941, Q942	2SC2235

Q926 - Q935, Q947	2SC2240
Q911 - Q915, Q945	2SC2458
Q946	DTA124ES
D911 - D925, D927 - D930	1SS355
D951 - D960	1SS355

D935	UDZ16B
D931, D932, D938, D939	UDZ22B
D933, D934, D936, D937	UDZ24B
D941 - D945	UDZ6.8B
D946 - D950	UDZ8.2B

Mark No. Description Parts No.

CAPACITORS

C1071 - C1080	CCCSL181K2H
C951 - C960	CCCSL560K2H
C966 - C970	CCCSL5R0C2H
C981 - C985	CCSQCH101J50
C1089, C1090	CEAS101M50

C971	CEAS470M2A
C931 - C935, C941 - C945	CEJA100M50
C961 - C965	CEJA101M16
C1086, C1087	CEJA1R0M50
C1081 - C1085, C1101 - C1105	CEJA470M16

C946 - C950	CKSQYB182K50
C936 - C940	CKSQYB221K50
C976 - C980	CKSQYB222K50
C1088	CKSQYF223Z50

RESISTORS

R1201, R1202	RD1/4LMF472J
R1126 - R1130	RD1/4MUF473J
R1153, R1154	RD1/4MUF4R7J

Other Resistors	RS1/10S□□□J
-----------------	-------------

OTHERS

901 CABLE HOLDER (6P)	51052 - 0600
902 CABLE HOLDER (5P)	51063 - 0505
903 CABLE HOLDER (15P)	51063 - 1505
CN904 14P SOCKET	KM250MA3
CN903 PLUG 3 - P	KP200TA14L

CN901 CONNECTOR (15P)	KPE15
PCB BINDER	VEF1040

DOLBY DIGITAL ASSY

SEMICONDUCTORS

IC9401, IC9431, IC9461	AK4319 - VM
IC9251	AK5340 - VS
IC9121	CD0004AF
IC9361	KM62V256CLG - 7L
IC9091	LH52256AN - 70LL

IC9301	MB86342A
IC9201, IC9221	NJM2100M
IC9041, IC9411, IC9441, IC9471, IC960	NJM4558MD
IC9621, IC9641	NJM4558MD
IC9501	PA4025A

IC9071	PM4007A
IC9371	TC74HCT244AF
IC9103	TC74HCU04AF
IC9381	TC74LVX244FS
Q9007, Q9241, Q9401, Q9431, Q9461	2PB709A

Q9003, Q9031, Q9032, Q9242, Q9402	2PD601A
Q9432, Q9462	2PD601A
Q9201, Q9221, Q9601, Q9611, Q9621	2SC3326
Q9631, Q9641, Q9651	2SC3326
Q9001, Q9002, Q9004 - Q9006	2SC3802K

VSX-D906S, VSX-07TX, VSX-09TX

Mark	No.	Description	Parts No.
	Q9304		DTA124EK
	Q9251, Q9301 – Q9303		DTC124EK
	D9401, D9431		ISS181
	D9002		ISS355
	D9001		KV1851
COILS AND FILTERS			
	F9001 (2.88MHz)		ATF7001
	F9301, F9302, F9371		ATF7013
	L9003 (68µH)		ATH7001
	L9301, L9801 – L9811		ATL7001
	L9302		LCTBR47K2125
	L9200, L9201, L9221, L9252 – L9254		OTL1040
	L9402, L9432, L9462, L9601, L9611		OTL1040
	L9621, L9631, L9641, L9651		OTL1040
	L9004, L9005, L9071, L9091, L9103		VTL1019
	L9108, L9121, L9251, L9361, L9371		VTL1019
	L9380, L9401, L9431, L9461, L9661		VTL1019
CAPACITORS			
	C9105, C9122, C9126, C9159, C9160		CCSQCH101J50
	C9255, C9263, C9302, C9309, C9312		CCSQCH101J50
	C9315, C9318, C9321, C9361, C9381		CCSQCH101J50
	C9401, C9406, C9431, C9436, C9461		CCSQCH101J50
	C9466		CCSQCH101J50
	C9511, C9521, C9541, C9551, C9571		CCSQCH102J50
	C9606, C9616, C9626, C9636, C9646		CCSQCH102J50
	C9656		CCSQCH102J50
	C9125, C9203, C9223, C9305, C9306		CCSQCH220J50
	C9412 – C9414, C9422 – C9424		CCSQCH221J50
	C9442 – C9444, C9452 – C9454		CCSQCH221J50
	C9472 – C9474, C9482		CCSQCH221J50
	C9057		CCSQCH270J50
	C9151, C9152, C9512, C9522, C9542		CCSQCH271J50
	C9552, C9572, C9702, C9704, C9709		CCSQCH271J50
	C9603, C9613, C9623, C9633, C9643		CCSQCH391J50
	C9705		CCSQCH470J50
	C9326		CCSQCH471J50
	C9307, C9308, C9375		CCSQCH560J50
	C9007		CCSQCH750J50
	C9053		CEANP470M25
	C9257, C9301		CEAS471M6R3
	C9107, C9128, C9201, C9221, C9403		CEV100M16
	C9405, C9408, C9433, C9435, C9438		CEV100M16
	C9463, C9465, C9468, C9502, C9504		CEV100M16
	C9602, C9605, C9612, C9615, C9622		CEV100M16
	C9625, C9632, C9635, C9642, C9645		CEV100M16
	C9652, C9655		CEV100M16
	C9016		CEV100M35
	C9071, C9091, C9262		CEV101M6R3
	C9415, C9425, C9445, C9455, C9475		CEV220M16
	C9485		CEV220M16
	C9241		CEV221M4
	C9801, C9802		CEV330M25
	C9111, C9242, C9363, C9373, C9383		CEV470M6R3

Mark	No.	Description	Parts No.
	C9031, C9371, C9712		CKSQYB102K50
	C9014, C9054, C9056, C9092, C9101		CKSQYB103K50
	C9103, C9701, C9703, C9706 – C9708		CKSQYB103K50
	C9153, C9154, C9581		CKSQYB104K25
	C9205, C9225		CKSQYB152K50
	C9483, C9484		CKSQYB223K50
	C9582		CKSQYB273K50
	C9653		CKSQYB393K50
	C9121		CKSQYB104K25
	C9001 – C9006, C9008 – C9013, C9015		CKSQYF104Z25
	C9017, C9018, C9043, C9051, C9052		CKSQYF104Z25
	C9055, C9058, C9073 – C9081, C9106		CKSQYF104Z25
	C9110, C9123, C9127, C9202, C9204		CKSQYF104Z25
	C9222, C9224, C9251, C9253, C9256		CKSQYF104Z25
	C9259, C9303, C9310, C9313, C9316		CKSQYF104Z25
	C9319, C9322, C9324, C9362, C9372		CKSQYF104Z25
	C9382, C9402, C9404, C9407, C9409		CKSQYF104Z25
	C9411, C9421, C9432, C9434, C9437		CKSQYF104Z25
	C9439, C9441, C9451, C9462, C9464		CKSQYF104Z25
	C9467, C9469, C9471, C9481, C9501		CKSQYF104Z25
	C9503, C9601, C9611, C9621, C9631		CKSQYF104Z25
	C9641, C9651		CKSQYF104Z25
	C9041, C9042		CKSQYF105Z16

RESISTORS

All Resistors RSI10S□□□□

OTHERS

CN9801	11PJUMPER CONNECTOR	52147 – 1110
CN9661	15PJUMPER CONNECTOR	52147 – 1510
JA9000	PIN JACK(3P)	AKB7092
X9301	DOLBY DIGITAL PCB	ANP7176
X9001	CRYSTAL FOR VCXO (18.432MHz)	ASS1035
CN9301	CRYSTAL FOR VCXO (18.432MHz)	ASS7009
JA9104	CONNECTOR(10P)	KPE10
	OPTICAL RECEIV MOD.	TORX176

FM/AM TUNER MODULE

SEMICONDUCTORS

IC6201	LA1836M
IC6202	LM7001J
Q6102	2SC2223
Q6203	2SC2235
Q6202	2SC2712
Q6103, Q6214	2SC2714
Q6201	2SK208
Q6104	2SK302
Q6101	3SK194
Q6204	XDA124EK
Q6217	XDC124EK
D6101, D6102	IT33

VSX-D906S, VSX-07TX, VSX-09TX

Mark No.	Description	Parts No.
COILS AND FILTERS		
L6104		ATC1003
L6101		ATC1020
L6102		ATC1021
L6207	(10.7MHz)	ATE1013
F6203, F6204		ATF - 119
F6101		ATF - 155
F6202	(450kHz)	ATF1156
L6103	(2.2μH)	ATH1043
L6202, L6203, L6208		LCTA2R2J3225
TRANSFORMERS		
T6101		ATE - 063
CAPACITORS		
C6202, C6234, C6236	(1μF/16V)	ACG1051
C6229		CCSCH821J50
C6107		CCSCK1R0C50
C6108, C6203, C6268		CCSQCH101J50
C6111, C6116, C6208, C6221, C6222		CCSQCH150J50
C6115		CCSQCH330J50
C6101		CCSQCH5R0C50
C6110		CCSQCK2R0C50
C6114		CCSQRH080D50
C6113		CCSQRH180J50
C6105		CCSQTH150J50
C6224, C6246, C6262		CEAS100M50
C6227		CEAS101M10
C6261		CEAS1R0M50
C6216, C6217		CEAS330M16
C6231, C6233		CEAS3R3M50
C6219		CEAS470M10
C6243 - C6245		CEAS470M16
C6238		CEJA100M16
C6249, C6250		CEJA4R7M35
C6215		CFTXA103J50
C6214		CFTXA224J50
C6103, C6106, C6112, C6204		CKSQYB102K50
C6102, C6109, C6117, C6210, C6264		CKSQYB103K50
C6213		CKSQYB223K50
C6230		CKSQYB393K50
C6228, C6252		CKSQYB472K50
C6209, C6237, C6265, C6267		CKSQYB473K50
C6212, C6218		CKSQYF103Z50
C6220, C6226, C6239, C6242, C6255		CKSQYF223Z50
C6235		CKSQYF224Z25
C6225, C6241, C6266		CKSQYF473Z50
C6232		CKSYB393K50
C6251		CKSYB472K50
C6223		CKSYF103Z50
C6263		CKSYF473Z50

Mark No.	Description	Parts No.
RESISTORS		
R6299, R6300		RD1/4PU102J
R6113, R6116, R6118, R6268 - R6271		RS1/8S0R0J
R6275, R6276, R6278, R6283, R6284		RS1/8S0R0J
R6290, R6293, R6294, R6297		RS1/8S0R0J
R6243, R6244		RS1/8S101J
R6211		RS1/8S103J
R6237		RS1/8S182J
R6209		RS1/8S221J
R6239		RS1/8S332J
R6101		RS1/8S470J
VR6201	(10kΩ/0.1W)	ACP1056
VR6202		VRTB6VS223
Other Resistors		RS1/10S□□□J
OTHERS		
BN6201	TERMINAL 4 - P	AKE7028
X6203	CRYSTAL RESONATOR (7.2000MHz)	ASS1042
X6201	CRYSTAL RESONATOR (456kHz)	ASS1066
X6202	CERAMIC RESONATOR (450kHz)	ATF1027
CN6201	14P SOCKET	KP2001A14L
8001	AM RF TUNING BLOCK	AXX1025

6. ADJUSTMENT

6.1 TUNER ADJUSTMENT

■ ADJUSTMENT OF FM TUNER SECTION

- Set the FM/AM selector to FM BAND.
- Connect the wiring as shown in Fig. 6-1.

Step No.	Adjustment Title	FM SG (1kHz, ±75kHz dev.)		Reception Frequency Display	Adjustment Location	Specifications
		Frequency (MHz)	Level (dBμV)			
1	Center Adjustment	98 Non modulation	80 or more	—	L6207	Adjust so that the DC voltage between IC6201-Pin 4 and Pin 28 (or + leads of C6224 and C6261) becomes 0V±50mV.
2	Front End Sensitivity adjustment	98	Low input (0 to 30)	98MHz	L6102 T6101	Adjust so that the DC voltage between IC6201-Pin 12 and GND (or + leads of C6238 and GND) becomes at maximum level.
3	Stereo Distortion	98	80	98MHz	T6101	Minimize the distortion with 1/8 rotation of the core.
4	TUNED IND. Lighting Level	98	15 (±2dB)	98MHz	VR6201	Adjust so that the indicator of TUNED IND. starts to light up.

Notes:

- Before adjusting, make sure there is no gap between L6101 and L6102. If there is a gap between them, bring them into contact with each other first, and then make adjustments.
- Make indicator adjustments in order of AM → FM.

■ ADJUSTMENT OF AM TUNER SECTION

- Set the FM/AM selector to AM BAND.
- Connect the wiring as shown in Fig. 6-1.

Step No.	Adjustment Title	AM SG (400Hz, 30% Mod.)		Reception Frequency Display	Adjustment Location	Specifications
		Frequency (kHz)	Level (dBμV/m)			
1	TUNED IND. Lighting Level	999*1	47(±2dB)	999kHz*1	VR6202	Adjust so that the indicator of TUNED IND. starts to light up.

*1: For the area using 10kHz step, frequencies should be 1000kHz

VSX-D906S, VSX-07TX, VSX-09TX

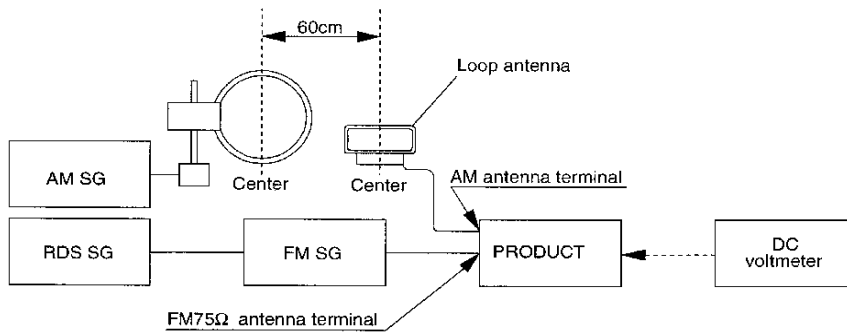


Fig. 6-1 AM and FM Adjustment Wiring Diagram

FM/AM TUNER MODULE

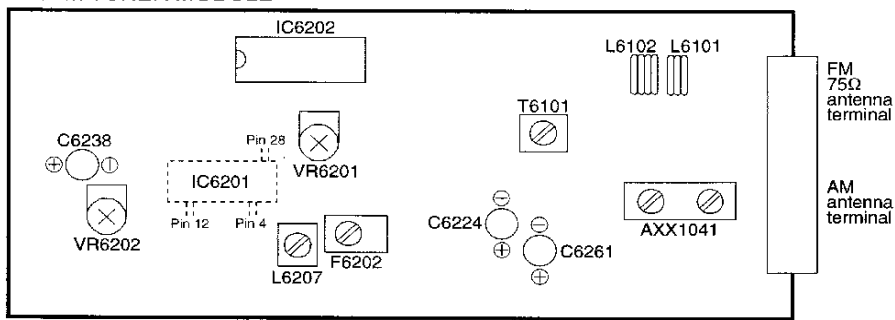


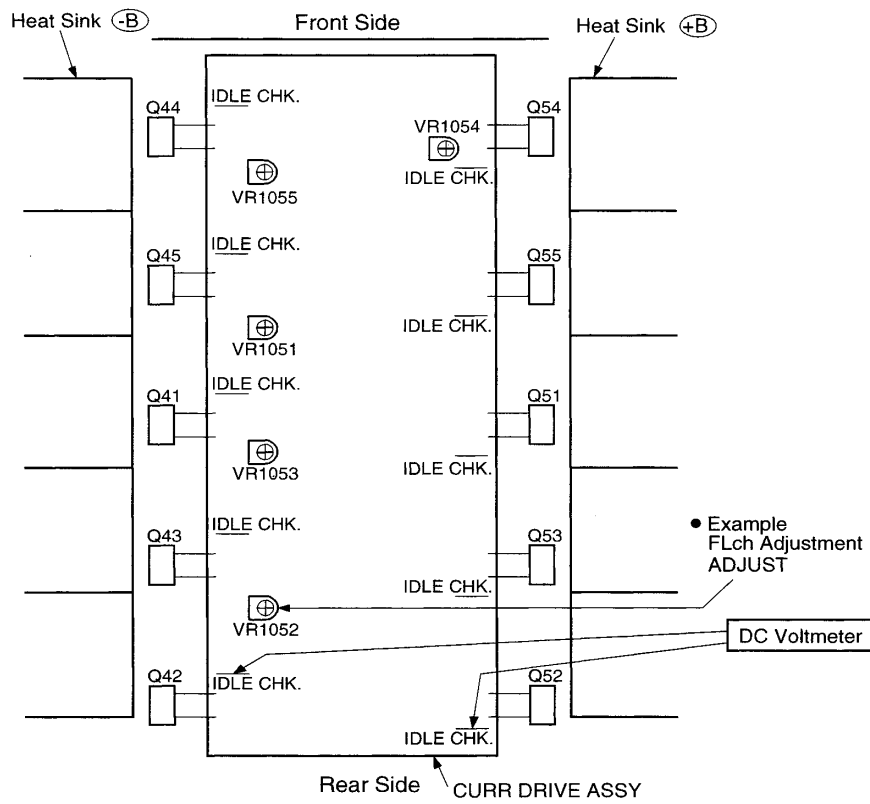
Fig. 6-2 Adjustment Points

6.2 IDLE CURRENT ADJUSTMENT

- CAUTION : Heatsinks' DC level is equal to +B or -B.
Don't touch them or you will be electrically shocked.

1. Decrease the level of the Adjustment Variable resistor (VR) for the channel to be adjusted. (⊕ Turn counterclockwise.)
2. Set the power switch to ON.
3. While looking at voltage of the adjustment point shown below, gradually turn the Adjustment VR toward the right. Stop at 20mV.
4. Ages for ten minutes.
5. Readjust the voltage to $10 \pm 1\text{mV}$ after ten minutes. Adjustment is completed.

ADJUSTMENT ch	ADJUSTMENT VR	ADJUSTMENT POINT
FLch	VR1052	Voltage between IDLE CHK of Q42 and Q52, the terminal with a silk mark.
FRch	VR1053	Voltage between IDLE CHK of Q43 and Q53, the terminal with a silk mark.
Cch	VR1051	Voltage between IDLE CHK of Q41 and Q51, the terminal with a silk mark.
SRch	VR1055	Voltage between IDLE CHK of Q45 and Q55, the terminal with a silk mark.
SLch	VR1054	Voltage between IDLE CHK of Q44 and Q54, the terminal with a silk mark.



7. GENERAL INFORMATION

7.1 PARTS

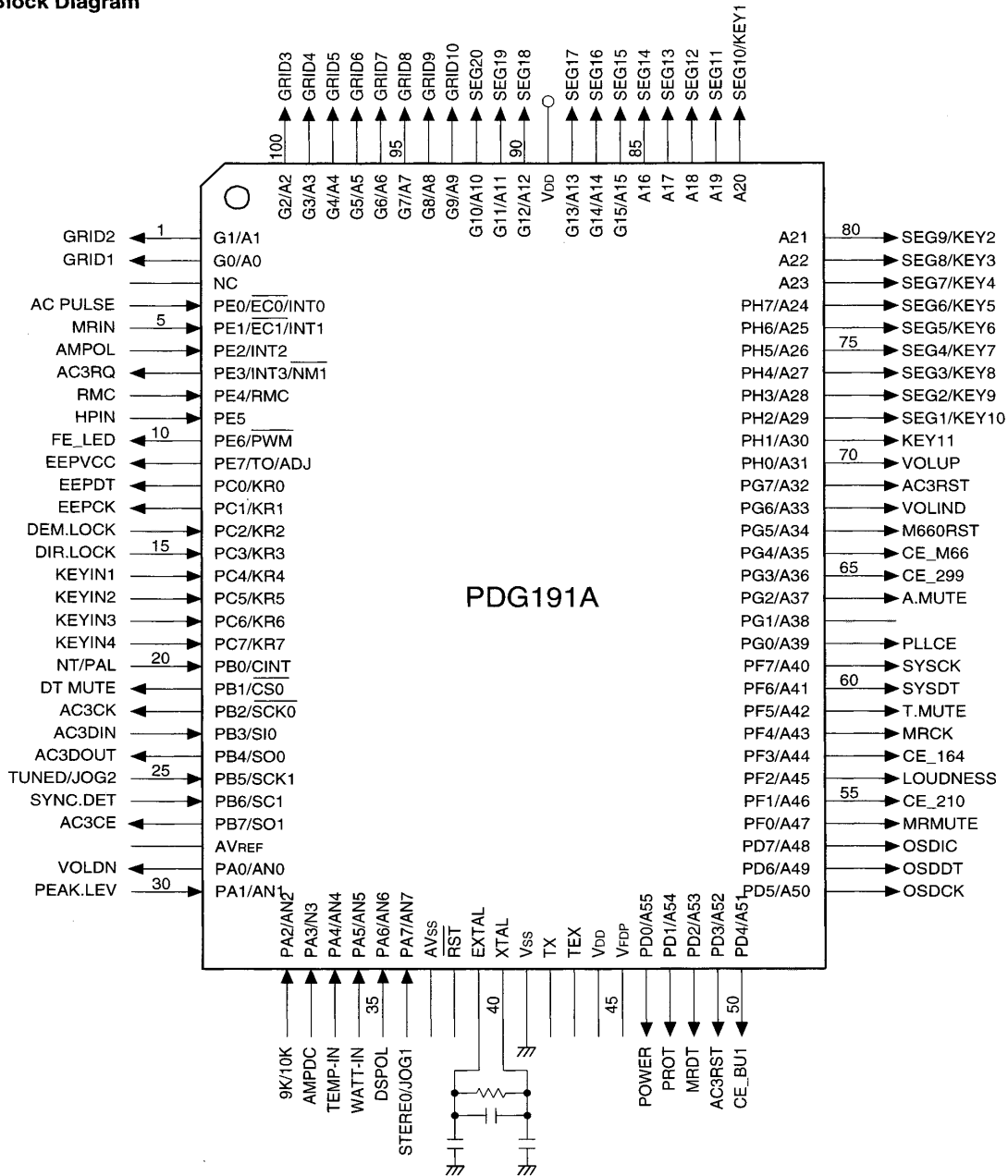
7.1.1 IC

■ PDG191A (FL-UCOM ASSY : IC801)

● RECEIVER CONTROL μ -COM

● Block Diagram

● The information shown in the list is basic information and may not correspond exactly to that shown in the schematic diagrams.



● Pin Function

No.	Name		I/O	Function
1	G11	G1/A1	O	FL grid output 2.
2	G12	G0/A0	O	FL grid output 1.
3	NC	NC	-	5V.
4	WAKEUP	PE0/EC0/INT0	I	AC pulse input.
5	MRIN	PE1/EC1/INT1	I	Sub room remote control input.
6	AMP OVERLOAD	PE2/INT2	I	AMP overload detect A/D input.
7	AC3REQ	PE3/INT3/NMI	I	Requests communications to the microprocessor in the main unit from AC3. (L: Request for communication)
8	RMS	PE4/RMC	I	Remote control input.
9	HPIN	PE5	I	Headphone connect detect. H : connect
10	LFE LED	PE6/PWM	O	LED lights up during playback of AC3 or partial playback of LFE.
11	EEPVCC	PE7/TO/ADJ	O	
12	EEPDT	PC0/KR0	O	Data for communications with EEPROM.
13	EEPCK	PC1/KR1	O	Clock for communications with EEPROM.
14	DEM.LOCK	PC2/KR2	I	Inputs "L" when demodulator IC is locked to RF signal.
15	DIR.LOCK	PC3/KR3	I	Inputs "L" when DIR is locked to digital input signal.
16	KEYIN1	PC4/KR4	I	KEY scan input 1.
17	KEYIN2	PC5/KR5	I	KEY scan input 2.
18	KEYIN3	PC6/KR6	I	KEY scan input 3.
19	KEYIN4	PC7/KR7	I	KEY scan input 4.
20	NT/PAL	PB0/CINT	I	NTSC/PAL switching. (L : PAL)
21	91620N	PB1/CS0	O	Sets to "H" when data are transferred to TC9162 (2).
22	AC3CK	PB2/SCK0	O	Clock for communications of AC3 microcomputer.
23	AC3DIN	PB3/SI0	I	Data in for communications of AC3 microcomputer.
24	AC3DOUT	PB4/SO0	O	Data out for communications of AC3 microcomputer.
25	TUNED/JOG2	PB5/SCK1	I	TUNER : TUNER input. (L : TUNED)/JOG2 : Port data input
26	SYNC.DEC	PB6/SC1	I	Detection of synchronizing signal (L: Signal detected)
27	AC3CE	PB7/SO1	O	Chip selection for communications with AC3 IC module.
28	AVREF	AVREF	-	5V.
29	VOLDOWN	PA0/AN0	O	Master Volume (electrically operated) DOWN output.
30	PEAK.LEV	PA1/AN1	I	
31	9K/10K	PA2/AN2	I	Switching frequency steps of the tuner. (AM L : 9K H : 10K, FM L : 50K H : 100K)
32	AMP DC DETECT	PA3/AN3	I	Detection of AMP power error. A/D input.
33	TEMP-IN	PA4/AN4	I	Fan temperature input. A/D input.
34	WATT-IN	PA5/AN5	I	Fan wattage input. A/D input.
35	DSP OVERLOAD	PA6/AN6	I	DSP overload detect. A/D input.
36	JOG1/STEREO	PA7/AN7	I	JOG1: Port data input/TUNER: Stereo input (L: Receiving broadcasting in stereo).
37	GND	AVSS	-	GND.
38	RST	RST	I	Reset.
39	EXTAL	EXTAL	-	Oscillator 8MHz.
40	XTAL	XTAL	-	Oscillator 8MHz.
41	GND	VSS	-	GND.
42	TX	TX	O	Open.
43	TEX	TEX	I	GND.
44	VDD	VDD	-	5V.
45	VFDP	VFDP	-	-30V.
46	POWER	PD0/A55	O	AC relay ON/OFF.
47	PROT	PD1/A54	O	Protection relay ON/OFF.
48	MRDT	PD2/A53	O	Data for IC. BU4094, TC9210, LM7001 (TUNER) control.
49	AC3STP	PD3/A52	O	Stops crystal oscillation of IC module for AC3 and internal PLL oscillation.
50	CE BUI	PD4/A51	O	Strobe output for extended IC BU4094 (1).

VSX-D906S, VSX-07TX, VSX-09TX

PDG191A

No.	Name		I/O	Function
51	OSD CK	PD5/A50	O	Clock for communications with OSD IC.
52	OSD DT	PD6/A49	O	Data for communications with OSD IC.
53	OSD CE	PD7/A48	O	Chip selection for communications with OSD IC.
54	MRMUTE	PF0/A47	O	Mute for sub room.
55	CE 210	PF1/A46	O	Strobe output for TC9210.
56	LOUDNESS	PF2/A45	O	LOUDNESS ON/OFF, during operation : H
57	CE 164	PF3/A44	O	Strobe output for TC9162 and TC9164.
58	MRCK	PF4/A43	O	Clock for IC. BU4094, TC9210, LM7001 (TUNER) control.
59	T.MUTE	PF5/A42	O	Tuner mute ON/OFF.
60	SYSDT	PF6/A41	O	Data for IC. TC system, M66311 control.
61	SYSCK	PF7/A40	O	Clock for IC. TC system, M66311 control.
62	PLLCE	PG0/A39	O	Chip selection for tuner IC.
63	CE 163	PG1/A38	O	Strobe output for TC9163.
64	AMUTE	PG2/A37	O	Audio mute ON/OFF.
65	CE 299	PG3/A36	O	Strobe output for TC9299.
66	CE M66	PG4/A35	O	Strobe output for M66311.
67	M66ORST	PG5/A34	O	IC output enable signal for M66311 (H: Enabled).
68	VOLIND	PG6/A33	O	Volume IND. control.
69	AC3RST	PG7/A32	O	IC module reset output for AC3.
70	VOLUP	PH0/A31	O	Master Volume (electrically operated) UP output.
71	KEY11	PH1/A30	O	KEY scan output 11.
72	SEG1/KEY10	PH2/A29	O	Segment output 1/KEY scan output 10.
73	SEG2/KEY9	PH3/A28	O	Segment output 2/KEY scan output 9.
74	SEG3/KEY8	PH4/A27	O	Segment output 3/KEY scan output 8.
75	SEG4/KEY7	PH5/A26	O	Segment output 4/KEY scan output 7.
76	SEG5/KEY6	PH6/A25	O	Segment output 5/KEY scan output 6.
77	SEG6/KEY5	PH7/A24	O	Segment output 6/KEY scan output 5.
78	SEG7/KEY4	A23	O	Segment output 7/KEY scan output 4.
79	SEG8/KEY3	A22	O	Segment output 8/KEY scan output 3.
80	SEG9/KEY2	A21	O	Segment output 9/KEY scan output 2.
81	SEG10/KEY1	A20	O	Segment output 10/KEY scan output 1.
82	SEG11	A19	O	Segment output 11.
83	SEG12	A18	O	Segment output 12.
84	SEG13	A17	O	Segment output 13.
85	SEG14	A16	O	Segment output 14.
86	SEG15	G15/A15	O	Segment output 15.
87	SEG16	G14/A14	O	Segment output 16.
88	SEG17	G13/A13	O	Segment output 17.
89	VDD	VDD	-	5V
90	SEG18	G12/A12	O	Segment output 18.
91	SEG19	G11/A11	O	Segment output 19.
92	SEG20	G10/A10	O	Segment output 20.
93	G10	G9/A9	O	Timing output 10.
94	G9	G8/A8	O	Timing output 9.
95	G8	G7/A7	O	Timing output 8.
96	G7	G6/A6	O	Timing output 7.
97	G6	G5/A5	O	Timing output 6.
98	G5	G4/A4	O	Timing output 5.
99	G4	G3/A3	O	Timing output 4.
100	G3	G2/A2	O	Timing output 3.

■ M66311FP (FL-UCOM ASSY : IC803)

● LED DRIVER

● Pin Function

No.	Name	Function
1	MR IND.	LED lights up when Multiroom mode is ON. L : LED lights up.
2	LEF IND.	LED lights up if LFE component is detected during decoding of AC3 signal. "L": LED lights up.
3	Vcc	Power supply +5V.
4	DATA	Data line for communications with microcomputer.
5	OE	Output enable/disable signal. L : Fixed to "L" (output enabled).
6	LATCH	Strobe line for communications with microcomputer.
7	RESET	Reset input. Temporarily sets to "L" when the power switch is set to ON. After that, fixed to "H".
8	CLOCK	Clock line for communications with microcomputer.
9	GND	GND.
10		Fixed to "H".
11	HP RY.	Headphone relay. H : relay ON
12	S/C RY.	R/C relay. H : relay ON
13	Speaker B RY.	Speaker B relay. H : relay ON
14	Speaker A RY.	Speaker A relay. H : relay ON
15	FAN	FAN control. H : ON
16	MPX	Tuner (FM) MONO output. H : MONO output
17	Stereo ON/OFF	Stereo ON/OFF H : Stereo ON
18	↑ ↓	LED lights up when Up and Down arrow keys are enabled. L : LED lights up.
19	← →	LED lights up when Right and Left arrow keys are enabled. L : LED lights up.
20	SL/SR	LED lights up if AC3 signal from the rear system L/R is received. L : LED lights up.
21	S	LED lights up if AC3 signal from the rear system (monaural) is received. L : LED lights up.
22	C	LED lights up if AC3 signal from the center system is received. L : LED lights up.
23	L/R	LED lights up if AC3 signal from the front system L/R is received. L : LED lights up.
24	ADDIR	Switching MS Port. H : Analog input. L : Other than analog input

* Output is port output of M66311 (Set data to "L" when port output is to be set to "H".)

■ M66311FP (FL-UCOM ASSY : IC804)

● LED DRIVER

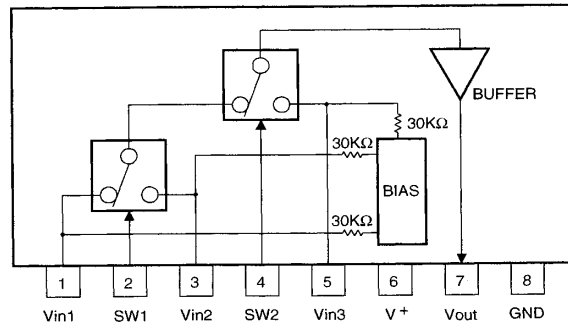
● Pin Function

No.	Name	Function
1		Not used. Open
2		Not used. Open
3	Vcc	Power supply +5V.
4	DATA	Data line for communications with microcomputer.
5	OE	Output enable/disable signal. L : Fixed to "L" (output enabled).
6	LATCH	Strobe line for communications with microcomputer.
7	RESET	Reset input. Temporarily sets to "L" when the power switch is set to ON. After that, fixed to "H".
8	CLOCK	Clock line for communications with microcomputer.
9	GND	GND
10		Fixed to "H".
11		Not used. Open
12		Not used. Open
13		Not used. Open
14		Not used. Open
15		Not used. Open
16	VCR1 IND.	LED lights up when function is VCR1. L : LED lights up.
17	VCR2 IND.	LED lights up when function is VCR2. L : LED lights up.
18	VIDEO IND.	LED lights up when function is VIDEO. L : LED lights up.
19	DVD IND.	LED lights up when function is DVD. L : LED lights up.
20	LD IND.	LED lights up when function is LD. L : LED lights up.
21	CD IND.	LED lights up when function is CD. L : LED lights up.
22	TUNER IND.	LED lights up when function is TUNER. L : LED lights up.
23	PHONO IND.	LED lights up when function is PHONO. L : LED lights up.
24	TAPE1 IND.	LED lights up when function is TAPE1. L : LED lights up.

* Output is from M66311.

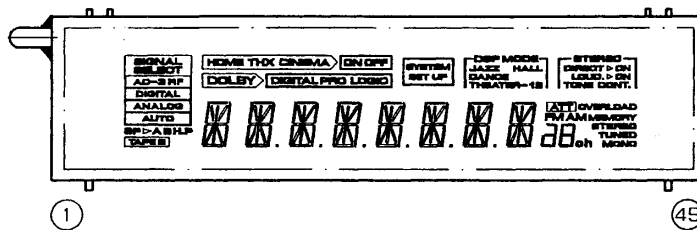
VSX-D906S, VSX-07TX, VSX-09TX

- NJM2534L (VIDEO ASSY : IC402, S-VIDEO ASSY : IC501, IC502)
- 3 Input Single Video Switch
- Block Diagram



7.1.2 DISPLAY

- AAV7037 (FL-UCOM ASSY:V801)
- FL Tube

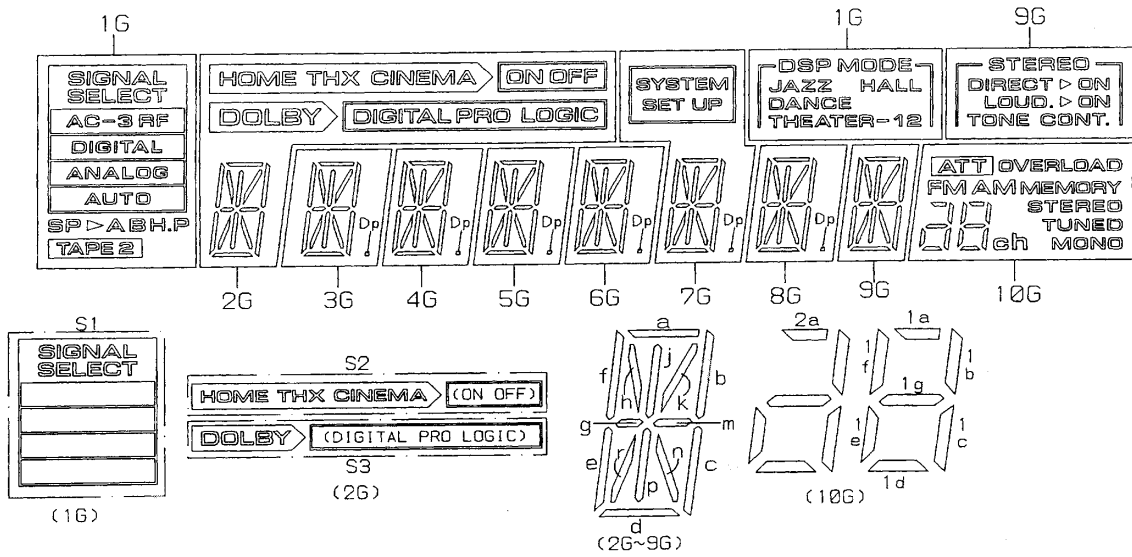


● Pin Assignment

PIN NO.	1	2	3	4	5	6	7	8	9	10	11	12	13	14	15	16	17	18	19	20	21	22	23	24	25	26	27	28	29	30	31	32	33	34	35	36	37	38	39	40	41	42	43	44	45	
CONNECTION	F	F	N	N	N	N	N	N	N	N	1	2	3	4	5	6	7	8	9	0	1	P	P	P	P	P	P	P	P	P	P	P	P	P	P	P	P	P	P	P	P	P	N	N	F	F
	1	1	P	X	X	X	X	X	X	X	G	G	G	G	G	G	G	G	G	G	0	9	8	7	6	5	4	3	2	1	0	9	8	7	6	5	4	3	2	1	P	P	2	2		

NOTE 1) F1, F2 --- Filament
 2) NP ----- No pin
 3) NX ----- No extend pin
 4) DL ----- Datum Line
 5) 1G~10G --- Grid

● Grid Assignment

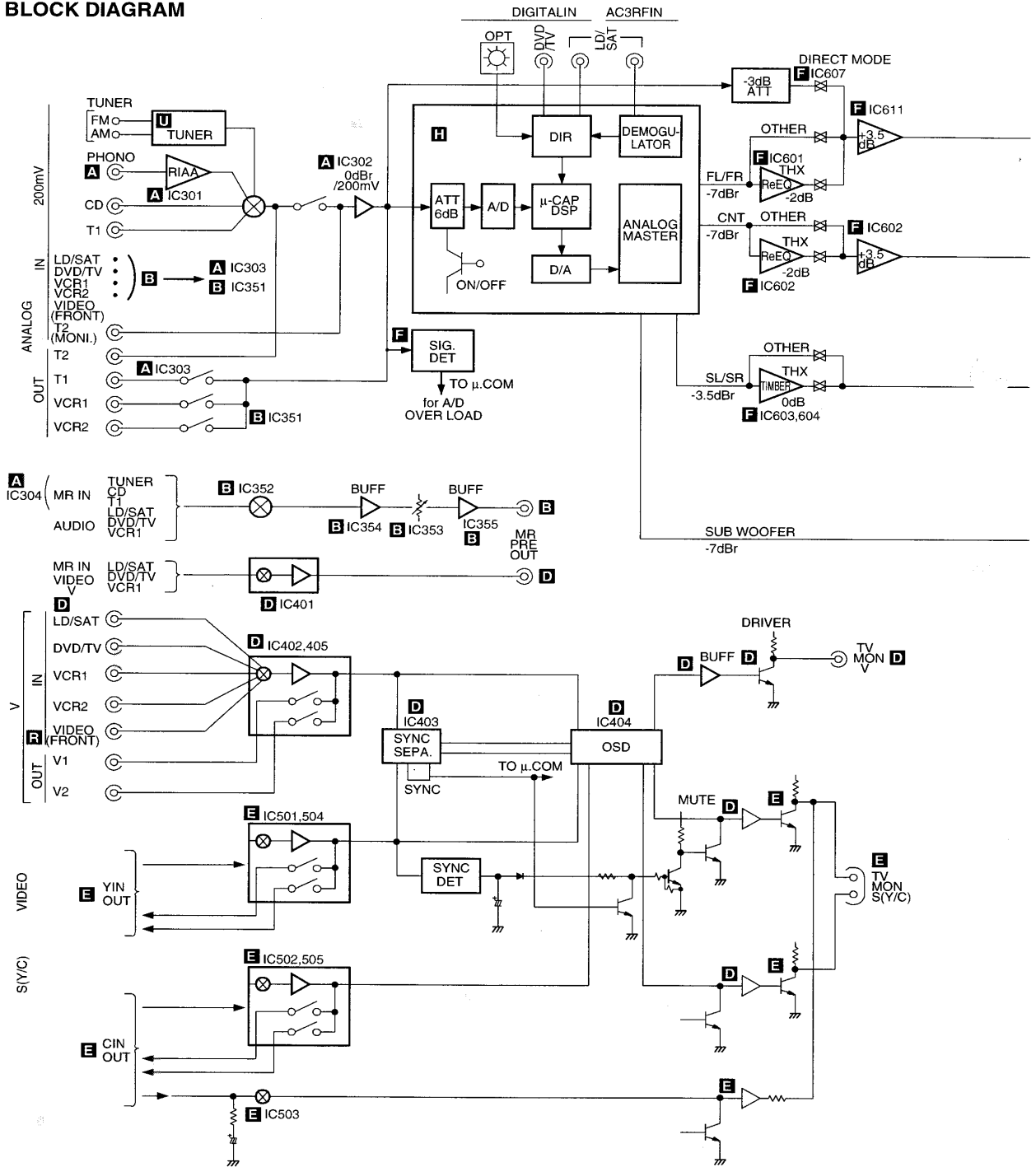


● Anode Connection

	1G	2G	3G~6G	7G	8G	9G	10G
P1	TAPE 2	a	a	a	a	a	1a
P2	SP ▷	j	j	j	j	j	1b
P3	A	k	k	k	k	k	1f
P4	B	h	h	h	h	h	1g
P5	H.P	b	b	b	b	b	1c
P6	AUTO	f	f	f	f	f	1e
P7	ANALOG	g	g	g	g	g	1d
P8	DIGITAL	m	m	m	m	m	2a, 2d, 2g
P9	AC-3 RF	c	c	c	c	c	2b
P10	S1	e	e	e	e	e	2c
P11	DSP MODE	n	n	n	n	n	2e
P12	JAZZ	r	r	r	r	r	MONO
P13	HALL	p	p	p	p	p	TUNED
P14	DANCE	d	d	d	d	d	STEREO
P15	THEATER-1	S2	Dp	Dp	Dp	STEREO	MEMORY
P16	2	ON	-	SYSTEM SET UP	-	DIRECT ▷	AM
P17	-	OFF	-	-	-	ON (↑)	FM
P18	-	S3	-	-	-	LOUD. ▷	ch
P19	-	PRO LOGIC	-	-	-	ON (↓)	ATT
P20	-	DIGITAL	-	-	-	TONE CONT.	OVERLOAD

VSX-D906S, VSX-07TX, VSX-09TX

7.2 BLOCK DIAGRAM



VSX-D906S, VSX-07TX, VSX-09TX

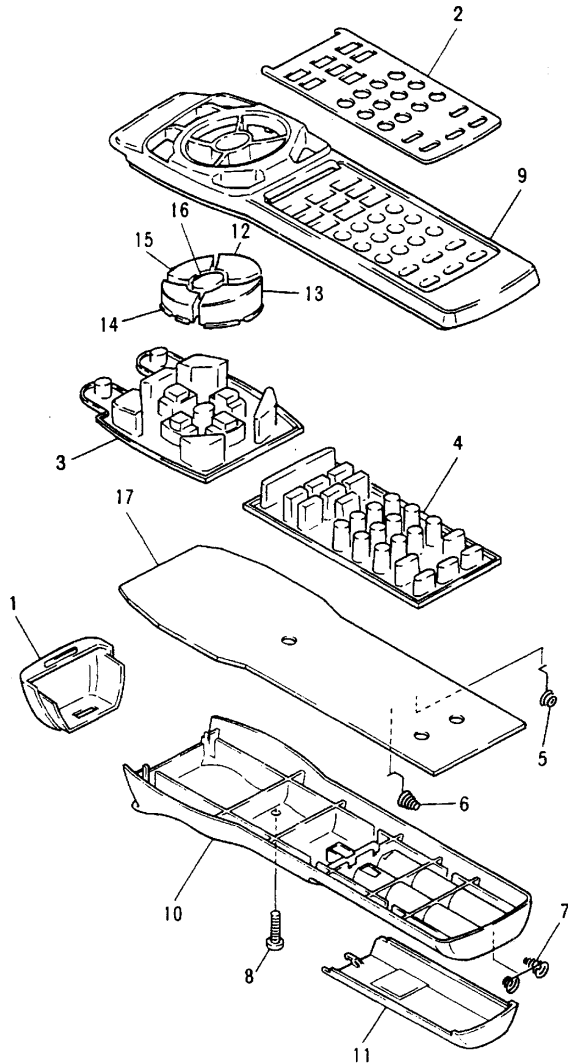
7.3 REMOTE CONTROL UNIT

[CU-VSX117 (AXD7127) : KU AND KC TYPES]

[CU-VSX122 (AXD7122) : SD AND KU/CA TYPES]

7.3.1 EXPLODED VIEWS AND PARTS LIST

- NOTES:
- Parts marked by "NSP" are generally unavailable because they are not in our Master Spare Parts List.
 - The \triangle mark found on some component parts indicates the importance of the safety factor of the part. Therefore, when replacing, be sure to use parts of identical designation.
 - Screws adjacent to \blacktriangledown mark on product are used for disassembly.

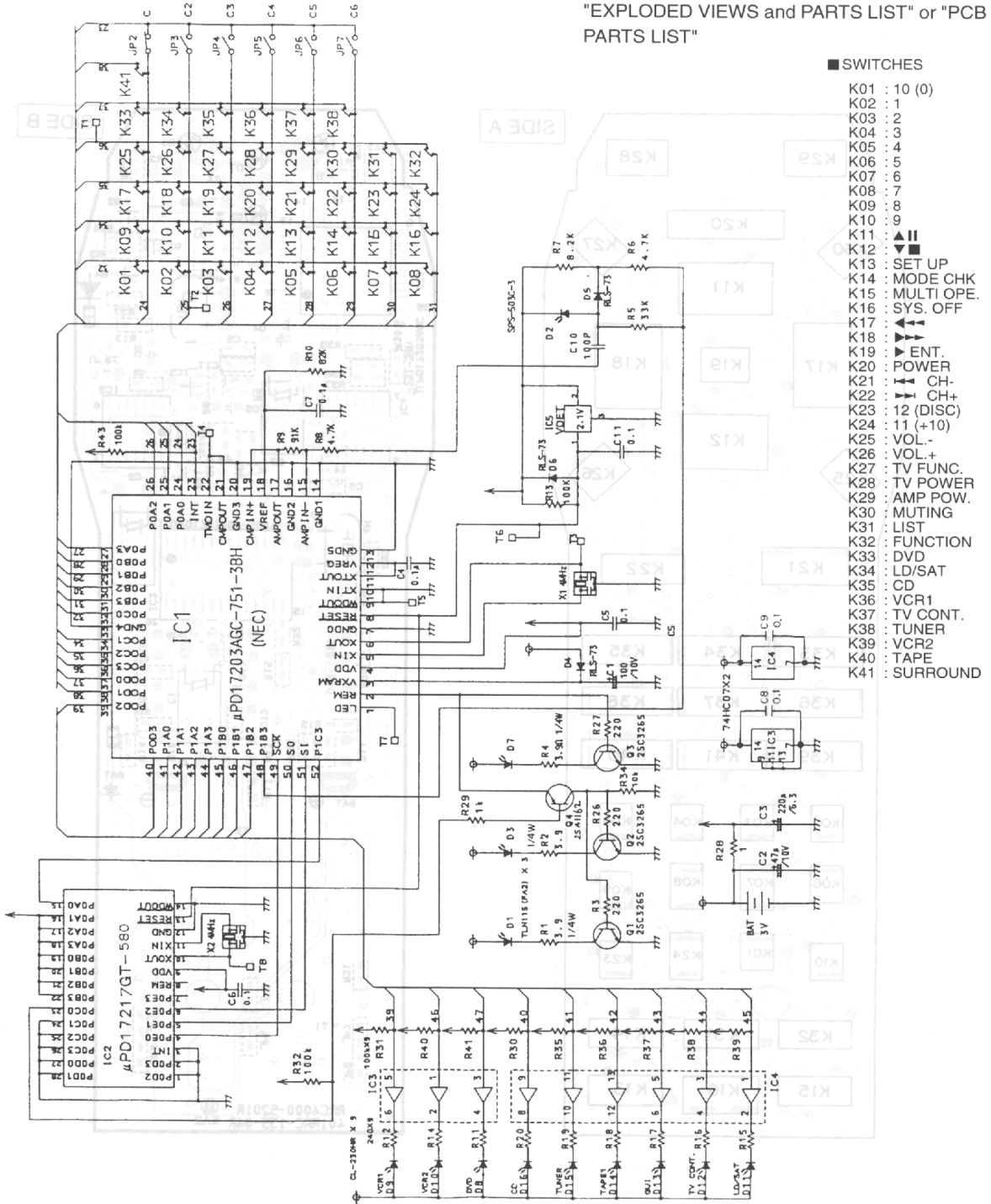


■ Parts List

Mark	No.	Description	Parts No.
	1	Filter	AZA7152
	2	Name Plate (KU AND KC TYPES)	AZA7251
	2	Name Plate (SD AND KU/CA TYPES)	AZA7249
	3	Rubber Sheet (A)	AZA7236
	4	Rubber Sheet (B)	AZA7248
	5	Spring (+)	AZB7049
	6	Spring (-)	AZB7050
	7	Spring	AZB7051
	8	Screw	AZB7052
	9	Remo-con Case (A)	AZN7672
	10	Remo-con Case (B)	AZN7326
	11	Battery Cover	AZN7327
	12	Main Key (FF)	AZN7666
	13	Main Key (STOP)	AZN7329
	14	Main Key (REV)	AZN7665
	15	Main Key (PAUSE)	AZN7331
	16	Main Key (PLAY)	AZN7664
NSP	17	PCB	AZW7243

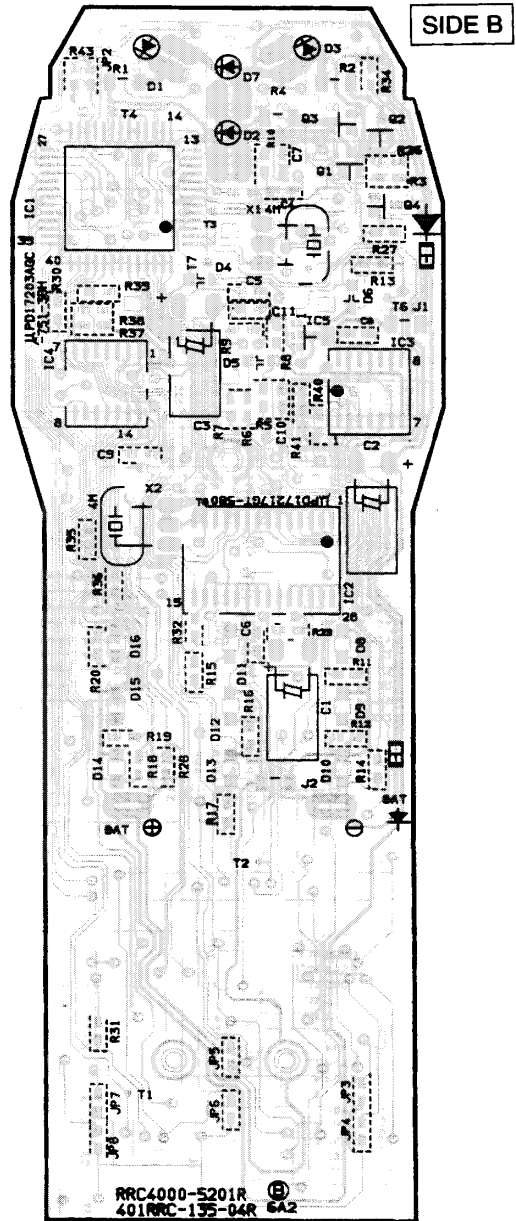
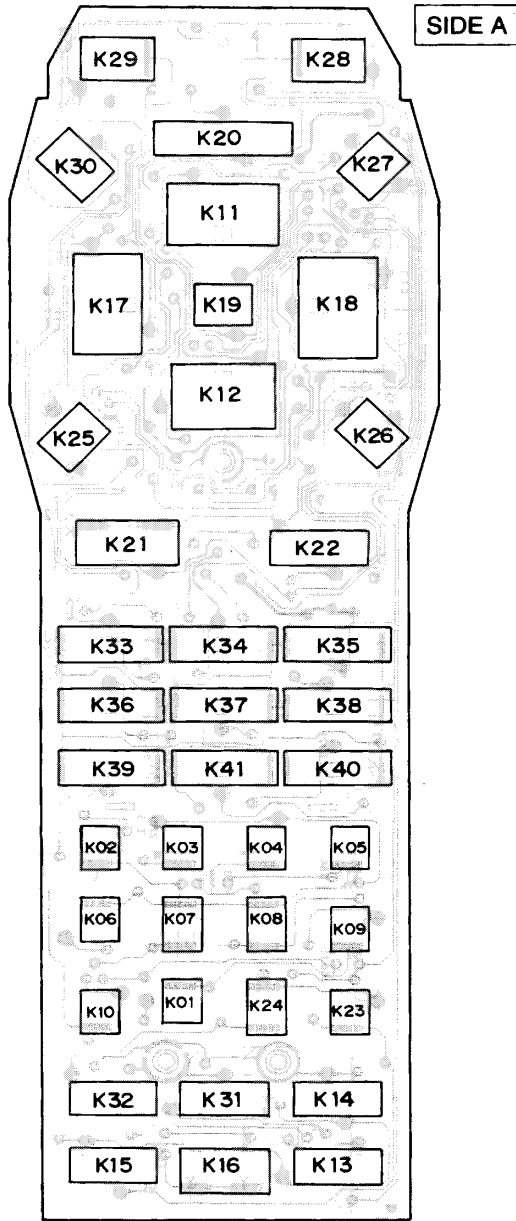
7.3.2 SCHEMATIC AND PCB DIAGRAM

Note : When ordering service parts, be sure to refer to "EXPLODED VIEWS and PARTS LIST" or "PCB PARTS LIST"



- SWITCHES
- K01 : 10 (0)
 - K02 : 1
 - K03 : 2
 - K04 : 3
 - K05 : 4
 - K06 : 5
 - K07 : 6
 - K08 : 7
 - K09 : 8
 - K10 : 9
 - K11 : ▲
 - K12 : ▼
 - K13 : ■
 - K14 : SET UP
 - K15 : MODE CHK
 - K16 : MULTI OPE.
 - K17 : SYS. OFF
 - K18 : ▲
 - K19 : ▼
 - K20 : ENT.
 - K21 : POWER
 - K22 : CH-
 - K23 : CH+
 - K24 : 12 (DISC)
 - K25 : 11 (+10)
 - K26 : VOL-
 - K27 : VOL+
 - K28 : TV FUNC.
 - K29 : TV POWER
 - K30 : AMP POW.
 - K31 : MUTING
 - K32 : LIST
 - K33 : FUNCTION
 - K34 : DVD
 - K35 : LD/SAT
 - K36 : CD
 - K37 : VCR1
 - K38 : TV CONT.
 - K39 : TUNER
 - K40 : VCR2
 - K41 : TAPE
 - K42 : SURROUND

VSX-D906S, VSX-07TX, VSX-09TX



7.3.3 PCB PARTS LIST

NOTES: • Parts marked by "NSP" are generally unavailable because they are not in our Master Spare Parts List.

• The Δ mark found on some component parts indicates the importance of the safety factor of the part. Therefore, when replacing, be sure to use parts of identical designation.

• When ordering resistors, first convert resistance values into code form as shown in the following examples.

Ex.1 When there are 2 effective digits (any digit apart from 0), such as 560 ohm and 47k ohm (tolerance is shown by J = 5%, and K = 10%).

560 Ω	\rightarrow	56 \times 10 ¹	\rightarrow	561	RD1/4PU Δ 561J
47k Ω	\rightarrow	47 \times 10 ³	\rightarrow	473	RD1/4PU Δ 473J
0.5 Ω	\rightarrow	R50			RN2H Δ R50K
1 Ω	\rightarrow	1R0			RS1P Δ 1R0K

Ex.2 When there are 3 effective digits (such as in high precision metal film resistors).

5.62k Ω	\rightarrow	562 \times 10 ¹	\rightarrow	5621	RN1/4PC Δ 5621F
----------------	---------------	------------------------------	---------------	------------	------------------------

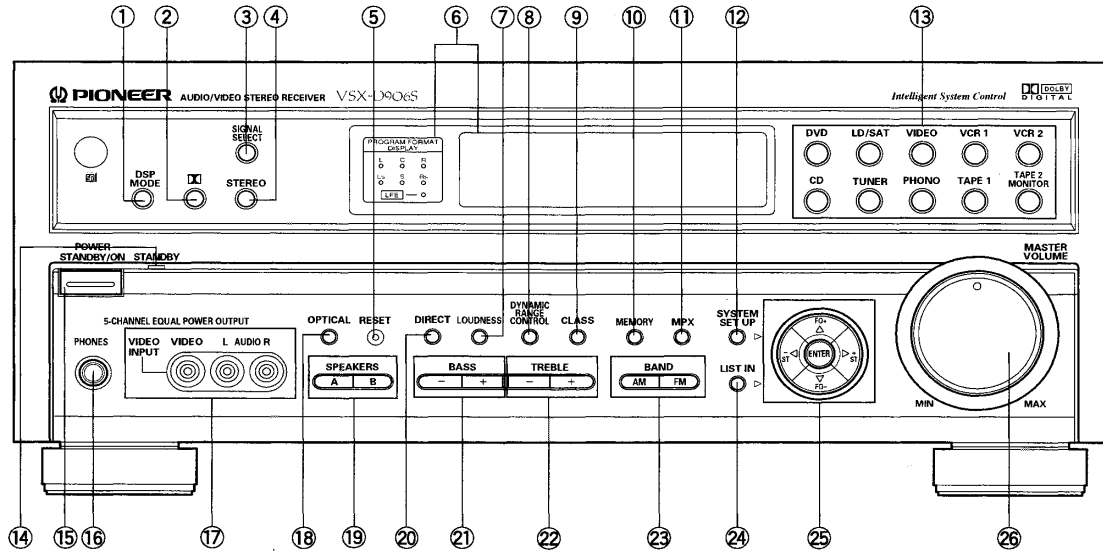
Mark No.	Description	Parts No.
SEMICONDUCTORS		
IC1		AZC7275
IC2		AZC7274
IC3, IC4		TC74HC07AF
IC5		RH5VA21AA
Q4 - Q6		2SA1037
Q1 - Q3		2SC3265
D1, D3, D7		SE1003 - C
D2		SPS - 503C - 3
D8 - D20 LED		CL - 230HR - CD
D4 - D6		RLS - 73
CAPACITORS		
C2		CEAS470M10
C4 - C7, C11		CKSQYB104K25
C3		CEAS221M10
C1		CEAS101M6R3
C8 - C10		CCSQCH100J50
RESISTORS		
R2001, R2002		RS1/8S0R0J
R1, R2, R4		RS1/8S3R9J
	Other Resistors	RS1/10S Δ Δ Δ J
OTHERS		
X1, X2	RESONATOR (4MHz)	KBR - 4.0M

8. PANEL FACILITIES AND SPECIFICATIONS

NAMES OF PARTS

* The size of characters shown in the figure may differ from that on the actual product.

Front panel



① **DSP MODE button*NOTE**

② **[Stereo] button**

③ **SIGNAL SELECT button**

④ **STEREO button**

⑤ **RESET button**

⑥ **Displays**

⑦ **LOUDNESS button*NOTE**

Press this button when the volume is low to raise the low and high frequency levels so that the sound can be heard more easily. This button operates in stereo mode only.

⑧ **DYNAMIC RANGE CONTROL button**

The volume is constantly controlled to maintain an even level and to make it possible to hear clearly even when the volume is set to a low level. (Works only when operating in DOLBY DIGITAL mode.)

⑨ **CLASS button**

⑩ **MEMORY button**

⑪ **MPX button**

Use to switch the auto stereo/monaural mode for receiving FM broadcasts. When the received broadcast signal is weak, press this button to set the monaural mode.

⑫ **SYSTEM SET UP button**

⑬ **Function buttons**

⑭ **STANDBY indicator**

⑮ **POWER STANDBY/ON button**

⑯ **PHONES jack (Headphone terminal)**

⑰ **Video input terminals**

Connect to a video camera, etc.

⑱ **OPTICAL button**

⑲ **SPEAKERS A, B buttons**

ON/OFF switches for the A and B speaker systems.

⑳ **DIRECT button*NOTE**

Use to play back sound without going through the tone control circuits. This button operates in stereo mode only.

㉑ **BASS -, + buttons*NOTE**

Use to adjust tone. This button operates in stereo mode only.

㉒ **TREBLE -, + buttons*NOTE**

Use to adjust tone. This button operates in stereo mode only.

㉓ **AM, FM buttons**

㉔ **LIST IN button**

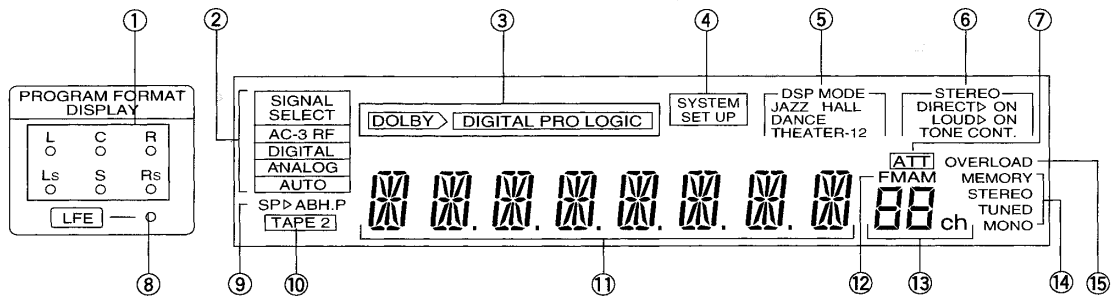
㉕ **Select/Adjust buttons**

㉖ **MASTER VOLUME**

*NOTE

These operation buttons do not function during AC-3 input.

Display

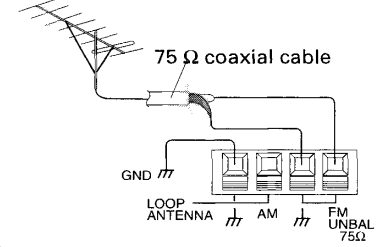


- ① **PROGRAM FORMAT DISPLAY**
When playing back in the Dolby Digital (AC-3) mode, the indicator of the channel set for the playback source lights.
- ② **SIGNAL SELECT indicators**
The input signal format currently selected will light.
- ③ **DOLBY DIGITAL and PRO LOGIC indicators**
"DOLBY" lights when the Dolby Surround mode is ON. There are two Dolby Surround modes-Dolby Digital (AC-3) and Dolby Pro Logic. "DOLBY" and "DIGITAL" light during Dolby Digital, and "DOLBY" and "PRO LOGIC" light when played back in Dolby Pro Logic.
- ④ **SYSTEM SET UP indicator**
Lights when SYSTEM SET UP mode is selected.
- ⑤ **DSP MODE indicators**
Lights when DSP MODE is on and indicates the type selected.
- ⑥ **STEREO indicators**
Lights when STEREO mode is selected.
- ⑦ **ATT indicator**
Lights when ATT (input attenuator) is ON.
- ⑧ **LFE indicator**
[LFE] lights when the LFE (Low Frequency Effects) channel is set for the playback source with Dolby Digital. The [LFE] indicator also lights when LFE signals are input.
- ⑨ **Speakers A, B, H.P indicators**
The indicator will light up to show which speaker terminal (A or B) is selected. When using headphones, the "H.P" indicator will light up. When using the headphone, speakers A and B are turned off.
- ⑩ **TAPE 2 indicator**
Lights when TAPE 2 MONITOR is ON.
- ⑪ **CHARACTER display**
- ⑫ **FM, AM indicators**
The indicator of the band currently selected (FM/AM) lights.
- ⑬ **STATION display**
Indicates the station number currently selected.
- ⑭ **TUNER indicators**
MEMORY:
Lights when station memory is selected.
STEREO:
Lights when stereo broadcasts are received during auto stereo mode.
TUNED:
Lights when broadcasts are being received.
MONO:
Lights when the monaural mode is set using the MPX MODE button.
- ⑮ **OVERLOAD Indicator**
This indicator lights up whenever the analog input signal is of a strength sufficient to cause electrical overload. When the indicator blinks, press the ATT button on the remote control unit to reduce the strength of the input signal.

CONNECTING DEVICES

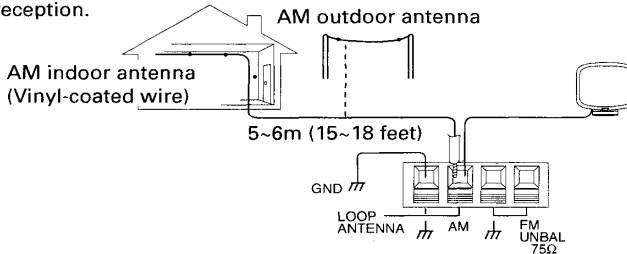
When connecting or changing equipment, be sure to turn OFF the POWER switch, and disconnect the power cord from the wall outlet.

■ For better reception of signals, use an FM external antenna.

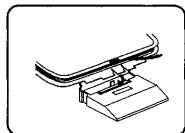


■ When AM broadcast reception is poor

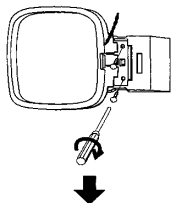
Connect a 5 to 6 meter (15~18 feet) long vinyl-coated wire to the AM antenna terminal. If possible draw horizontally outdoors to achieve better reception.



■ Assembling the AM loop antenna

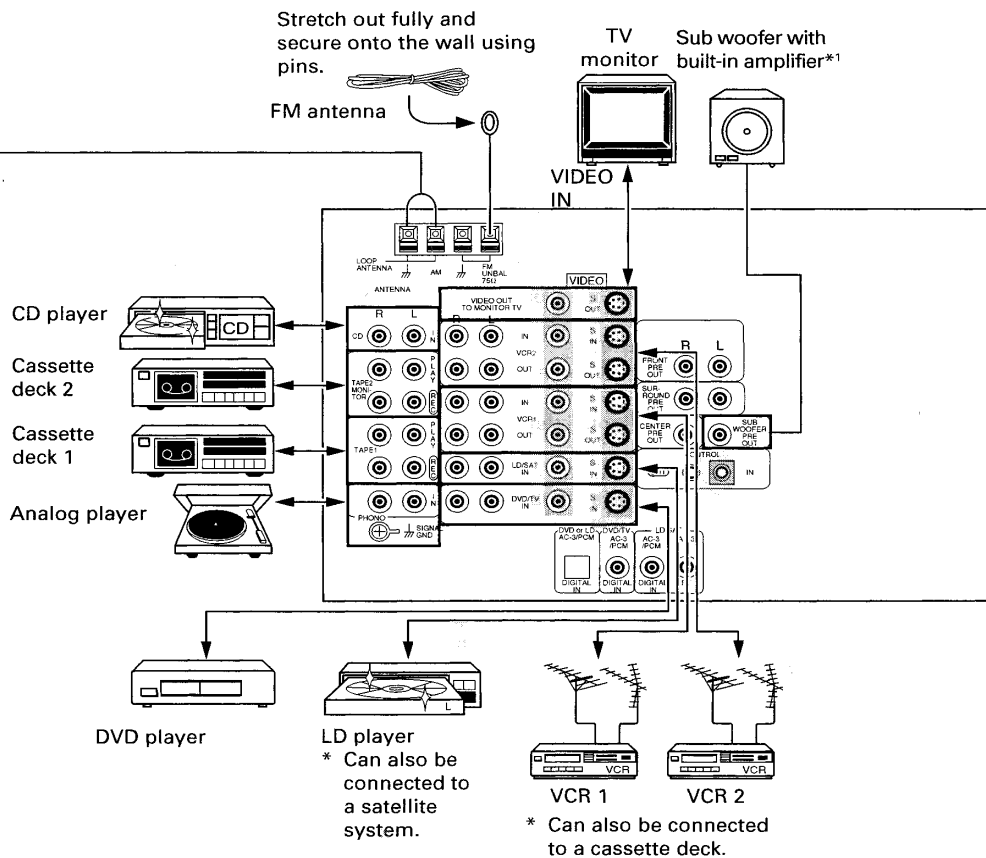


When attaching on a wall, etc.



Face towards the direction with the best reception.

*1 The sub woofer can be connected in a different way. For details, refer to the instructions on the sub woofer.



<p>■ AM antenna terminal</p> <p>10mm (3/8 in.)</p>	<p>■ Input/output plugs</p> <p>Connect the white plug to L, red plug to R, and yellow plug to VIDEO. Be sure to insert completely.</p>	<p>■ Speaker terminals</p> <p>10 mm (3/8 in.)</p> <p>This unit's speaker terminals accept banana plug. Please refer to the plug's manual for instructions on use.</p>
---	---	--

* The size of characters and terminal positions in the figures may differ from those on the actual product.

Speaker system (Front)

Speakers system (Surround)

■ **Front Panel**

Video equipment such as a video camera, etc.

AC OUTLETS

AC 120V 60Hz

SWITCHED TOTAL 100W/8A MAX

UNSWITCHED TOTAL 100W/8A MAX

FRONT SPEAKERS (R, L)

FRONT SPEAKERS (FR, FL)

CENTER SPEAKER (C)

SURROUND SPEAKERS (SR, SL)

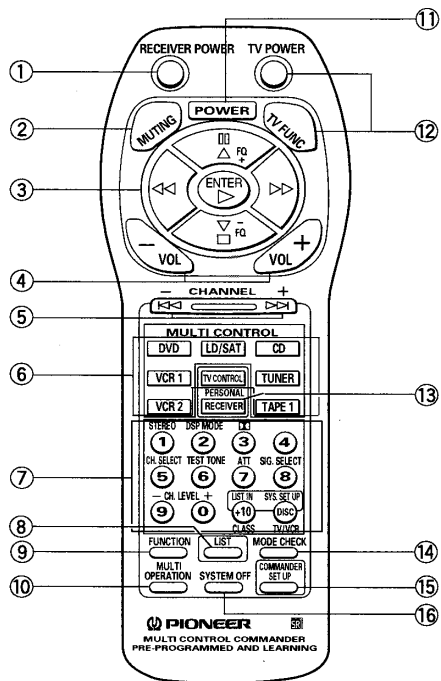
SPEAKERS A POSITION: ONCE OR HALF-PARALLEL OR HALF-PARALLEL

SPEAKERS B POSITION: ONCE OR HALF-PARALLEL OR HALF-PARALLEL

memo

- Use nominal impedances ranging from 6 Ω to 16 Ω for the speaker system.
- Sound is output from speakers connected to FR, FL, C, SR, or SL terminals if the SPEAKERS A button on the front panel is set to ON. If you want sound from speakers connected to the R and L terminals, set the SPEAKERS B button to ON.

Remote control unit



- ① **RECEIVER POWER button**
- ② **MUTING button**
Press to mute the volume.
- ③ **[When set to RECEIVER (OPERATIONS)]**
△, ▽, ◀, ▶ ENTER (Select/Adjust) buttons
[When set to other than RECEIVER (OPERATIONS)]
⏸ (Pause), □ (Stop), ◀◀ (Rewind), ▶▶ (Fast Forward), ▶ (Play) buttons
- ④ **VOL (-, +) buttons**
- ⑤ **[TV, VCR Operations]**
Selects the TV broadcast channel.
[CD, LD, DVD operations]
◀◀, ▶▶ (Chapter/Track Search) buttons
- ⑥ **MULTI CONTROL function buttons**
Selects the function set on the receiver and changes the remote control operations to that function. Also, initiates the multi operation play function when used in conjunction with the ⑩ MULTI OPERATION button.
- ⑦ **Number/Receiver setting buttons**
[When setting RECEIVER (operations)]
STEREO: Switches the STEREO mode.
DSP MODE: Switches the DSP surround effects. The DSP mode does not function during while a Dolby Digital (AC-3) program source is being played back.

- ⑧ **LIST button**
Use to display the list screen when using the CD or tuner function.
 - ⑨ **FUNCTION button**
Switches the function.
 - ⑩ **MULTI OPERATION button**
Use to set the multi operation.
 - ⑪ **POWER button**
Turns ON/OFF the power of devices other than this unit.
 - ⑫ **TV buttons**
 - ⑬ **RECEIVER/PERSONAL button**
[When setting MULTI operations]
Press when setting to the personal mode using multi operations.
[When setting to other than multi operation]
Press this button when using the Number/Receiver buttons to specify receiver settings.
 - ⑭ **MODE CHECK button**
 - ⑮ **COMMANDER SET UP button**
Use to control and learn operations of other manufacturers' equipment, and set multi operation functions.
 - ⑯ **SYSTEM OFF button**
Use to turn OFF the power of all equipment connected to the main unit.
- [Dolby Surround Mode Icon] : Switches the Dolby Surround mode.
 CH. SELECT: Use to select the channel for which level settings are to be defined.
 TEST TONE: When turned ON (while in system set up mode), volume balance adjustment signals are output in order from the speakers and can be adjusted.
 ATT: Operates during ANALOG signal input. When turned ON when the sound is unstable due to excessive input levels, the input signal level drops so that the sound becomes less distorted.
 SIG. SELECT: Use to select function LD or DVD input signals. (i.e. AC-3 RF, DIGITAL, etc.)
 CH. LEVEL -, +: Use to adjust the level of the channel selected with the CH. SELECT button.
 LIST IN: Use to switch to the list input screen when using the CD or tuner function.
 SYSTEM SET UP: Used to enter system setup mode.

SPECIFICATIONS

Amplifier Section

Continuous average power output of 100 watts* per channel, min., at 6 ohms, from 20 Hz to 20,000 Hz with no more than 0.09 % total harmonic distortion (front).**

Continuous Power Output	
Front	100 W + 100 W (1 kHz, 0.8 %, 6 Ω)
Center	100 W (1 kHz, 0.8 %, 6 Ω)
Surround	100 W + 100 W (1 kHz, 0.8 %, 6 Ω)
Input (Sensitivity/Impedance)	
PHONO MM	3.8 mV/47 kΩ
LD/SAT, CD, VCR 1, VCR 2, TAPE 1, TAPE 2, DVD/TV, VIDEO	275 mV/47 kΩ
Phono Overload Level (T.H.D. 0.1 %, 1kHz)	
PHONO MM	100 mV
Frequency Response	
PHONO MM	20 Hz to 20,000 Hz ± 0.3 dB
LD/SAT, CD, VCR 1, VCR 2, TAPE 1, TAPE 2, DVD/TV, VIDEO	5 Hz to 100,000 Hz ⁺⁰ / ₋₃ dB
Output (Level/Impedance)	
VCR 1, VCR 2, TAPE 1 REC, TAPE 2 REC	275 mV/2.2 kΩ
Tone Control	
BASS	± 6 dB (100 Hz)
TREBLE	± 6 dB (10 kHz)
Signal-to-Noise Ratio (IHF, short circuited, A network) (Direct On)	
PHONO MM	80 dB
LD/SAT, CD, VCR 1, VCR 2, TAPE 1, TAPE 2, DVD/TV, VIDEO	97 dB
Signal-to-Noise Ratio [EIA, at 1 W (1kHz)] (Direct On)	
PHONO MM	80 dB
LD/SAT, CD, VCR 1, VCR 2, TAPE 1, TAPE 2, DVD/TV, VIDEO	83 dB

* Measured pursuant to the Federal Trade Commission's Trade Regulation rule on Power Output Claims for Amplifiers.

** Measured by Audio Spectrum Analyzer.

VIDEO Section

Input (Sensitivity/Impedance)	
LD/SAT, VCR 1, VCR 2, DVD/TV, VIDEO	1 Vp-p/75 Ω
Output (Level/Impedance)	
VCR 1 REC, VCR 2 REC, MONITOR TV	1 Vp-p/75 Ω
Frequency Response	
LD/SAT, VCR 1, VCR 2, DVD/TV, VIDEO → MONITOR	5 Hz to 7 MHz ⁺⁰ / ₋₃ dB
Signal-to-Noise Ratio	55 dB
Cross Talk	55 dB

Manufactured under license from Dolby Laboratories Licensing Corporation. "Dolby", "AC-3", "Pro Logic" and the double-D symbol are trademarks of Dolby Laboratories Licensing Corporation.

FM Tuner Section

Frequency Range	87.5 MHz to 108 MHz
Usable Sensitivity	Mono: 11.2 dBf, IHF (1.0 μV/75 Ω)
50 dB Quieting Sensitivity	Mono: 16.8 dBf Stereo: 38.6 dBf
Signal-to-Noise Ratio	Mono: 73 dB (at 85 dBf) Stereo: 70 dB (at 85 dBf)
Distortion	Stereo: 0.5 % (1kHz)
Alternate Channel Selectivity	60 dB (400 kHz)
Stereo Separation	40 dB (1 kHz)
Frequency Response	30 Hz to 15 kHz (± 1) dB
Antenna Input	75 Ω unbalanced

AM Tuner Section

Frequency Range	530 kHz to 1,700 kHz (10 kHz step)
Sensitivity (IHF, Loop antenna)	350 μV/m
Selectivity	25 dB
Signal-to-Noise Ratio	50 dB
Antenna	Loop antenna

Miscellaneous

Power Requirements	AC 120 V, 60 Hz
Power Consumption	400 W
In Standby Condition	2.5 W
AC Outlet	
SWITCHED (x2)	100 W (0.8 A) MAX
UNSWITCHED (x1)	100 W (0.8 A) MAX
Dimensions	420 (W) × 177 (H) × 449 (D) mm 16-9/16 (W) × 6-15/16 (H) × 17-11/16 (D) in
Weight (without package)	13.3 kg (29 lb 4 oz)

Furnished Parts

FM Antenna	1
AM Loop Antenna	1
Dry Cell Batteries (AA/LR6)	2
Remote Control Unit	1
Operating Instructions	1
Sub instruction manual (Remote Control Unit)	1
Sub instruction manual [System Set up]	1

NOTE:

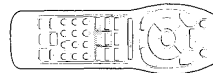
Specifications and the design are subject to possible modifications without notice, due to improvements.



FM antenna



AM loop antenna



Remote control unit



Alkaline dry cell batteries (size "AA" IEC LR6) x 2